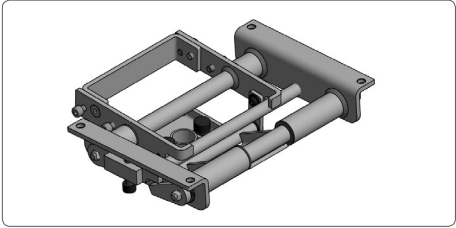


# 7275 Synchro Tilt



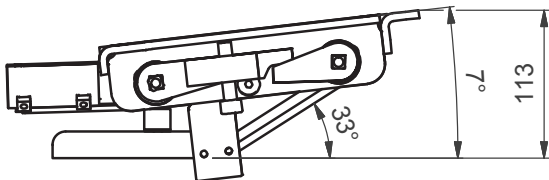
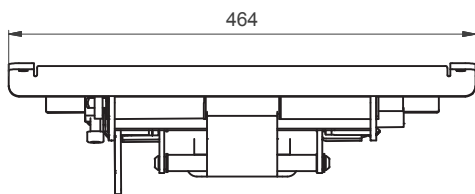
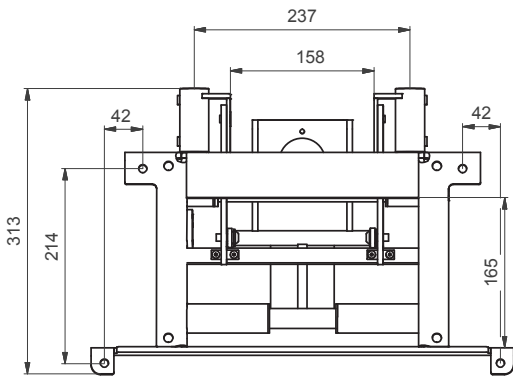
- > All mechanisms are available as a standard option
- > All mechanisms can be customized to accommodate special requirements
- > All mechanisms can be combined with more products for complete solution

## Functionality and benefits

- > Mechanism is based on 7275 Compact Tilt but build to provide extra movement in tilt function
- > Synchronized movement between back frame and seat

## Technical specifications

- > Movement from 0° - 33°



## Compatible with more products

This mechanism can be combined with more products including frames, triggers, adapters, center tubes, bases and swivels.

CLICK and find all our products online

MECHANISMS,  
MOTORS ETC

BASES AND  
SWIVELS

STEEL PARTS, POWDER  
COATING ETC

HEALTHCARE AND  
LIFT SYSTEMS

MOULDED  
FOAM

SEWING AND  
UPHOLSTERY



- > Simplify your supply chain
- > Secure strong cooperation
- > Experience hands-on support

