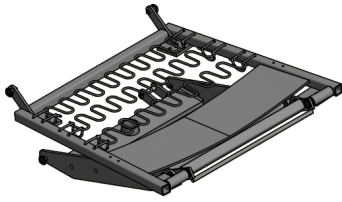
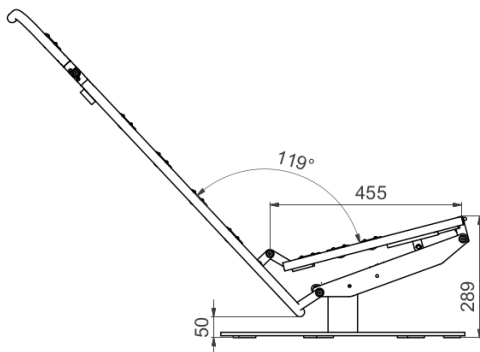
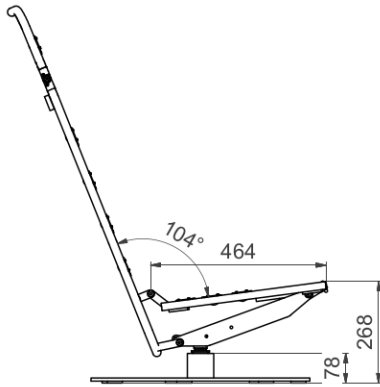


# 7900 Gravity Chair



- > All mechanisms are available as a standard option
- > All mechanisms can be customized to accommodate special requirements
- > All mechanisms can be combined with more products for complete solution



## Functionality and benefits

- > Mechanism with unique low front height
- > In movement the front only elevates 21 mm
- > Smooth reclining with gas spring
- > Optional to stop reclining movement in all positions
- > Ergonomic comfort with synchronized seat and back
- > Armrest is not required
- > Armrest is optional and can be mounted with fixed bridge or adaptor solution and is easily adjusted to fit design requirements
- > Ergonomic comfort with synchronized movement of seat and back
- > The mechanism is very small, and fit into many different designs

## Technical specifications

- > Low seat height in front from 268 mm
- > Reclining movement from 104° to 119°

## Compatible with more products

This mechanism can be combined with more products including frames, triggers, adapters, center tubes, bases and swivels.

CLICK and find all our products online

MECHANISMS,  
MOTORS ETC

BASES AND  
SWIVELS

STEEL PARTS, POWDER  
COATING ETC

HEALTHCARE AND  
LIFT SYSTEMS

MOULDED  
FOAM

SEWING AND  
UPHOLSTERY



- > Simplify your supply chain
- > Secure strong cooperation
- > Experience hands-on support

