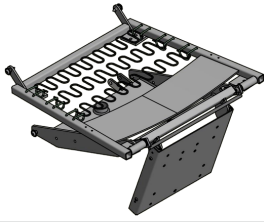
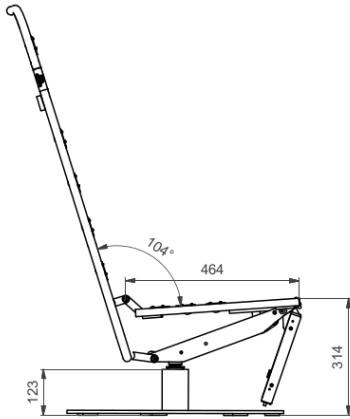


7950 Gravity Footrest

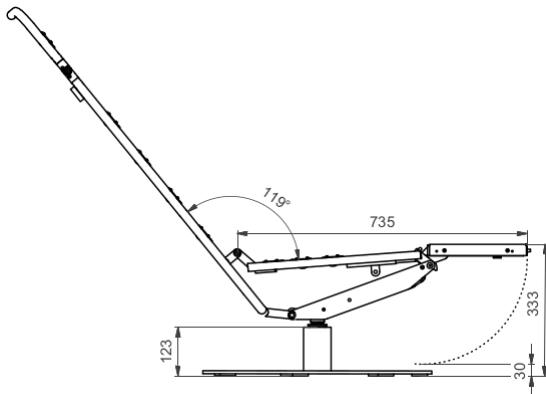


- > All mechanisms are available as a standard option
- > All mechanisms can be customized to accommodate special requirements
- > All mechanisms can be combined with more products for complete solution



Functionality and benefits

- > The Gravity mechanism works by using your bodyweight - leaning backwards will trigger fully reclined position with footrest elevated and extended
- > Smooth reclining with gas spring
- > Optional to stop reclining movement in all positions
- > Ergonomic comfort with synchronized movement of seat and back
- > Armrest is not required
- > Armrest is optional and can be mounted with fixed bridge or adaptor solution and is easily adjusted to fit design requirements



Technical specifications

- > Standard of 104° on back frame in sitting positions
- > Reclining movement of 15°
- > Footrest elevates to 333 mm above the floor

Compatible with more products

This mechanism can be combined with more products including frames, triggers, adapters, center tubes, bases and swivels.

CLICK and find all our products online

MECHANISMS,
MOTORS ETC

BASES AND
SWIVELS

STEEL PARTS, POWDER
COATING ETC

HEALTHCARE AND
LIFT SYSTEMS

MOULDED
FOAM

SEWING AND
UPHOLSTERY



- > Simplify your supply chain
- > Secure strong cooperation
- > Experience hands-on support

