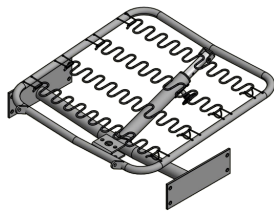
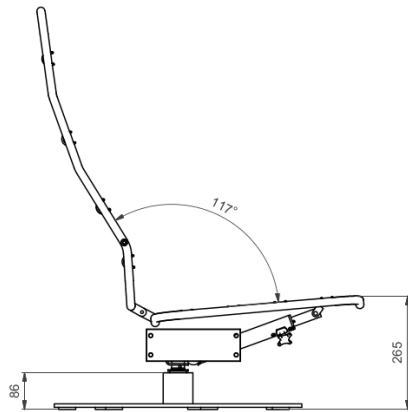


9000-0044 Zero Slide



- > All mechanisms are available as a standard option
- > All mechanisms can be customized to accommodate special requirements
- > All mechanisms can be combined with more products for complete solution

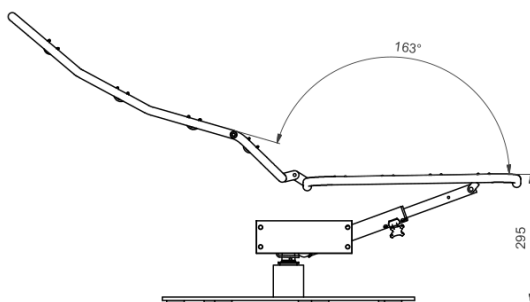


Functionality and benefits

- > Simple mechanism with sliding system
- > Suitable for chairs with both swivel or 4-legs
- > Optional to mount a brake system with trigger
- > Prepared for 2- or 3-seats version

Technical specifications

- > Standard of 117° in sitting position
- > Reclining movement of 46°
- > Seat front elevates from 265 to 295 mm in reclined position



Compatible with more products

This mechanism can be combined with more products including frames, triggers, adapters, center tubes, bases and swivels.

CLICK and find all our products online

MECHANISMS,
MOTORS ETC

BASES AND
SWIVELS

STEEL PARTS, POWDER
COATING ETC

HEALTHCARE AND
LIFT SYSTEMS

MOULDED
FOAM

SEWING AND
UPHOLSTERY



- > Simplify your supply chain
- > Secure strong cooperation
- > Experience hands-on support

