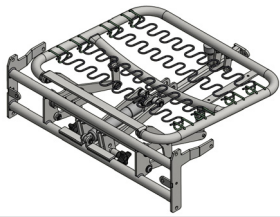
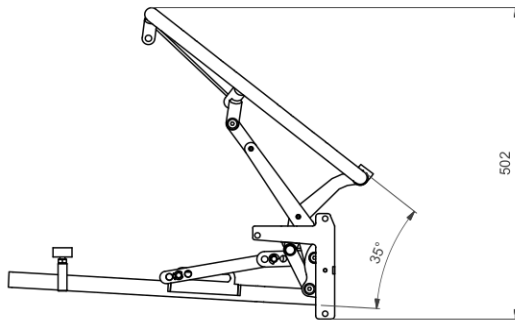


9360 Seat Lift Front Rail, motor

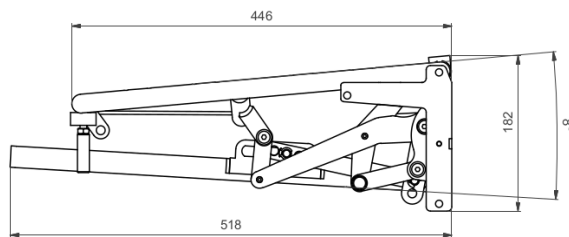


- > All mechanisms are available as a standard option
- > All mechanisms can be customized to accommodate special requirements
- > All mechanisms can be combined with more products for complete solution



Functionality and benefits

- > Mechanism with seat lift function
- > Suitable with our standard back frames which can be customized in shape upon request
- > Support installation of back frame in fixed position or with back frames with movement (by adding motor)
- > Optional to mount armrest



Technical specifications

- > Standard of 3 weight categories:
- > (50 - 70 kg) (70 - 90 kg) (90 - 110 kg)
- > Lift movement of maximum 35°

Compatible with more products

This mechanism can be combined with more products including frames, triggers, adapters, center tubes, bases and swivels.

CLICK and find all our products online

MECHANISMS,
MOTORS ETC

BASES AND
SWIVELS

STEEL PARTS, POWDER
COATING ETC

HEALTHCARE AND
LIFT SYSTEMS

MOULDED
FOAM

SEWING AND
UPHOLSTERY



- > Simplify your supply chain
- > Secure strong cooperation
- > Experience hands-on support

