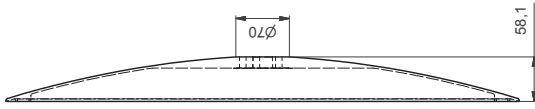
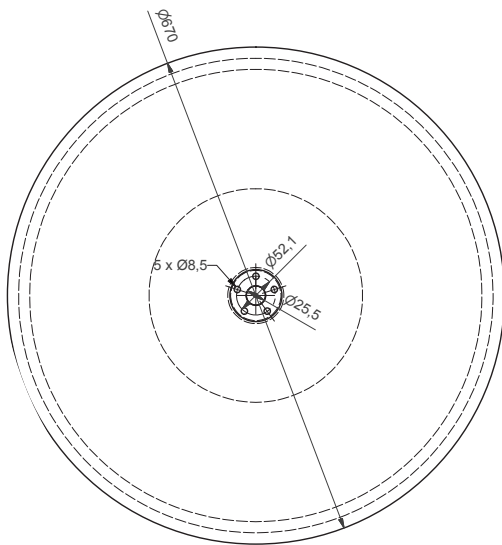


- > All discs are available as a standard option
- > All discs can be customized to accommodate special requirements
- > All discs can be combined with more products for complete solution



Functionality and benefits

- > Prepared for center column of $\varnothing 70$ mm
- > Delivered with felt to protect the floor
- > 5 holes base prepared for centre column



Technical specifications

- > We can offer the base in 3 standard diameters:
D = $\varnothing 670$, H = 59 mm
- > Colours available: brushed, black structur

Compatible with more products

This mechanism can be combined with more products including frames, triggers, adapters, center tubes, bases and swivels.

CLICK and find all our products online

MECHANISMS,
MOTORS ETC

BASES AND
SWIVELS

STEEL PARTS, POWDER
COATING ETC

HEALTHCARE AND
LIFT SYSTEMS

MOULDED
FOAM

SEWING AND
UPHOLSTERY



- > Simplify your supply chain
- > Secure strong cooperation
- > Experience hands-on support

