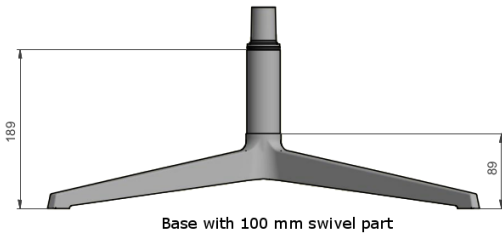


Birmingham Base, 4 star



- > All bases are available as a standard option
- > All bases can be customized to accommodate special requirements
- > All bases can be combined with more products for complete solution



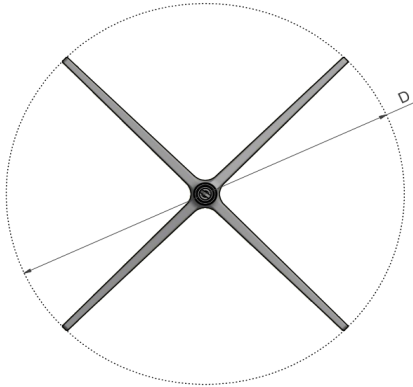
Base with 100 mm swivel part

Functionality and benefits

- > Suitable for special center tube solution
- > Prepared to use with a return memo spindle
- > Prepared in casted aluminium

Technical specifications

- > We can offer the base in 1 standard diameter
D = Ø720
- > Colours available: powder white, powder soft black, brushed



Compatible with more products

This mechanism can be combined with more products including frames, triggers, adapters, center tubes, bases and swivels.

CLICK and find all our products online

MECHANISMS,
MOTORS ETC

BASES AND
SWIVELS

STEEL PARTS, POWDER
COATING ETC

HEALTHCARE AND
LIFT SYSTEMS

MOULDED
FOAM

SEWING AND
UPHOLSTERY



- > Simplify your supply chain
- > Secure strong cooperation
- > Experience hands-on support

