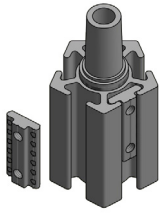
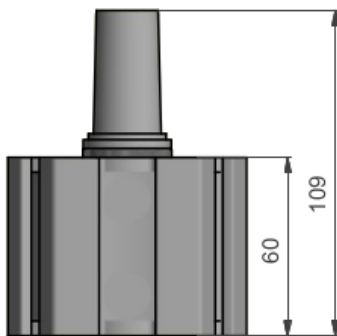
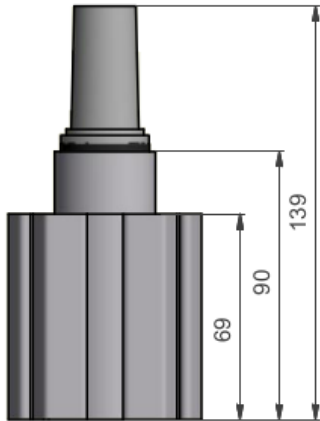


Swivel/Center Sections



- > All sections are available as a standard option
- > All sections can be customized to accommodate special requirements
- > All sections can be combined with more products for complete solution



Functionality and benefits

- > Center columns in highest quality and stability - patented since 1965
- > Optional to build in return memo spindles
- > Optional to build in gas spring
- > Height adjustments is possible upon request

Technical specifications

- > Standard top axle of 22 or 30 mm (MK3)
- > Standard lengths vary from 46-56 mm and up
- > Prepared in aluminium
- > Prepared with 5 holes for mounting a base

Compatible with more products

This mechanism can be combined with more products including frames, triggers, adapters, center tubes, bases and swivels.

CLICK and find all our products online

MECHANISMS,
MOTORS ETC

BASES AND
SWIVELS

STEEL PARTS, POWDER
COATING ETC

HEALTHCARE AND
LIFT SYSTEMS

MOULDED
FOAM

SEWING AND
UPHOLSTERY



- > Simplify your supply chain
- > Secure strong cooperation
- > Experience hands-on support

