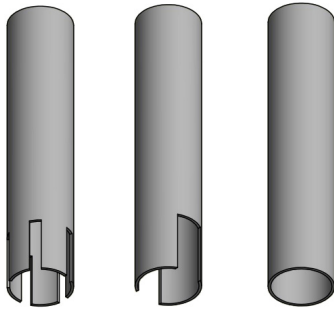


Cover Tube



- › All cover tubes are available as a standard option
- › All cover tubes can be customized to accommodate special requirements
- › All cover tubes can be combined with more products for complete solution



Functionality and benefits

- › Hide visible weldings on the base by using a cover tube
- › Make a visual smooth transaction from base to seat
- › Suitable for bases with center tube diameter of Ø40 mm
- › Sound reducing felt included

Technical specifications

- › Standard diameter of 50 mm x 2 mm
- › Surface colour is identical to the base
- › Available in other dimensions upon request

Compatible with more products

This mechanism can be combined with more products including frames, triggers, adapters, center tubes, bases and swivels.

CLICK and find all our products online

MECHANISMS,
MOTORS ETC

BASES AND
SWIVELS

STEEL PARTS, POWDER
COATING ETC

HEALTHCARE AND
LIFT SYSTEMS

MOULDED
FOAM

SEWING AND
UPHOLSTERY



- › Simplify your supply chain
- › Secure strong cooperation
- › Experience hands-on support

