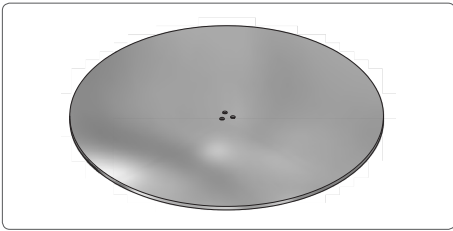
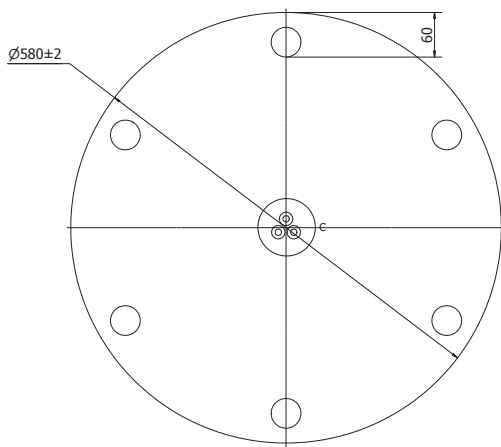
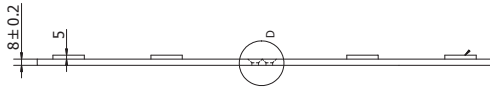


Flat



- > All discs are available as a standard option
- > All discs can be customized to accommodate special requirements
- > All discs can be combined with more products for complete solution



Functionality and benefits

- > Prepared for a screw mounted centre tube
- > Delivered with 5-7 pieces of felt to protect the floor
- > 3 holes base prepared for swivel part
- > 5 holes base prepared for centre column

Technical specifications

- > We can offer the base in 3 standard diameters:
 - D = Ø450, H = 13 mm
 - D = Ø580, H = 13 mm
- > Core of steel 7.5 mm
- > Thin plate of stainless 0.6 mm
- > Holes for centre parts Ø8.5 mm
- > Colours available: polished, brushed

Compatible with more products

This mechanism can be combined with more products including frames, triggers, adapters, center tubes, bases and swivels.

CLICK and find all our products online

MECHANISMS, MOTORS ETC	BASES AND SWIVELS	STEEL PARTS, POWDER COATING ETC
HEALTHCARE AND LIFT SYSTEMS	MOULDED FOAM	SEWING AND UPHOLSTERY



- > Simplify your supply chain
- > Secure strong cooperation
- > Experience hands-on support

