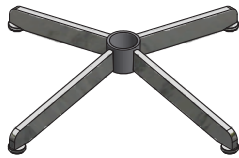
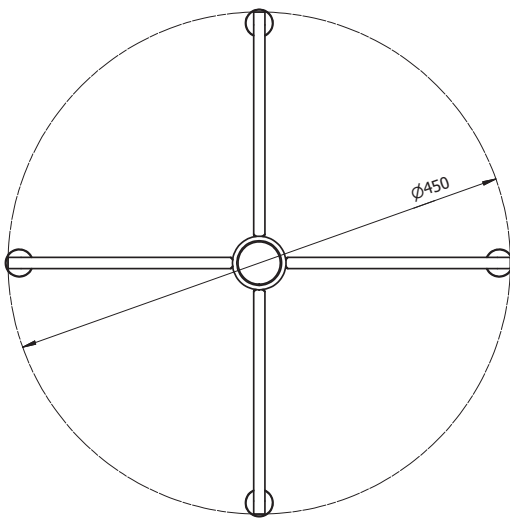
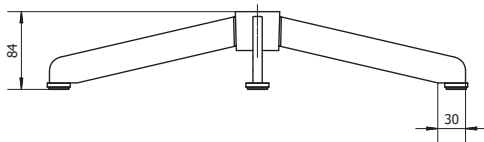


High Base, 4 star



- > All bases are available as a standard option
- > All bases can be customized to accommodate special requirements
- > All bases can be combined with more products for complete solution



Functionality and benefits

- > Construction is elevated from floor
- > Bigger glider for maximum floor protection
- > Prepared for a center tube diameter 40 mm
- > The shape of the legs can be customized

Technical specifications

- > We can offer the base in 2 standard diameters:
 - D = Ø450, H = 84 mm, d = 40 mm
 - D = Ø650, H = 84 mm, d = 40 mm
- > Colours available: shiny chrome, steel chrome, powder coating

Compatible with more products

This mechanism can be combined with more products including frames, triggers, adapters, center tubes, bases and swivels.

CLICK and find all our products online

MECHANISMS,
MOTORS ETC

BASES AND
SWIVELS

STEEL PARTS, POWDER
COATING ETC

HEALTHCARE AND
LIFT SYSTEMS

MOULDED
FOAM

SEWING AND
UPHOLSTERY



- > Simplify your supply chain
- > Secure strong cooperation
- > Experience hands-on support

