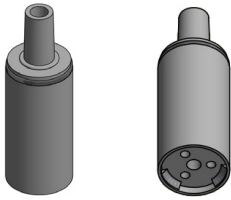
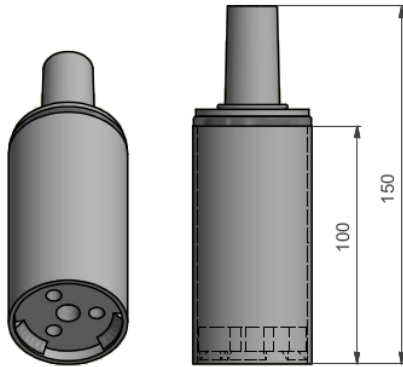


Screw Mounted Center Tubes



- › All tubes are available as a standard option
- › All tubes can be customized to accommodate special requirements
- › All tubes can be combined with more products for complete solution



Functionality and benefits

- › Center tubes in high quality and stability
- patented since 1965

Technical specifications

- › Standard diameter Ø50 mm
- › Standard top axle of 22 or 30 mm
- › Standard length of 80 or 100 mm
- › We can help to find other solutions if your design require other measurements
- › Colours available: chrome, steel

Compatible with more products

This mechanism can be combined with more products including frames, triggers, adapters, center tubes, bases and swivels.

CLICK and find all our products online

MECHANISMS,
MOTORS ETC

BASES AND
SWIVELS

STEEL PARTS, POWDER
COATING ETC

HEALTHCARE AND
LIFT SYSTEMS

MOULDED
FOAM

SEWING AND
UPHOLSTERY



- › Simplify your supply chain
- › Secure strong cooperation
- › Experience hands-on support

