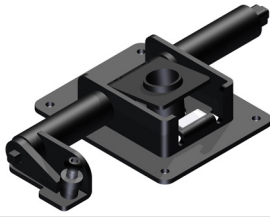
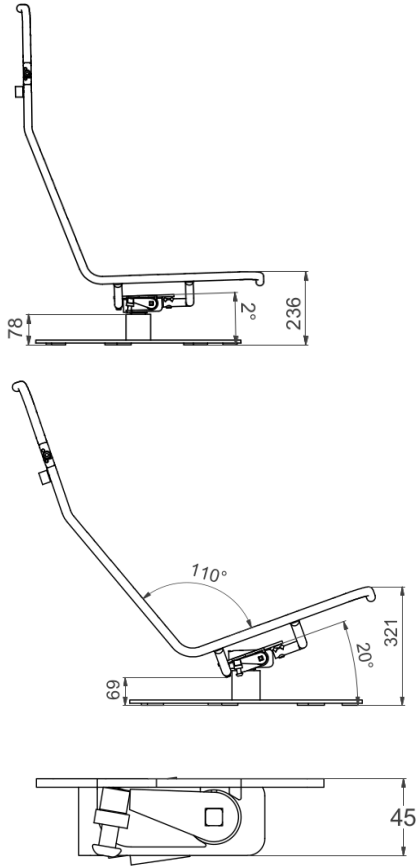


7275 Compact Tilt



- > All mechanisms are available as a standard option
- > All mechanisms can be customized to accommodate special requirements
- > All mechanisms can be combined with more products for complete solution

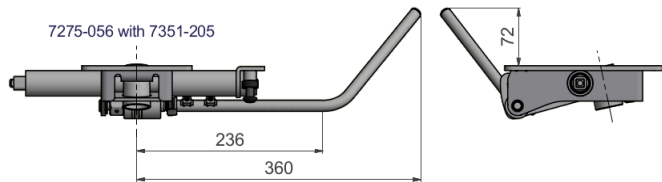


Functionality and benefits

- > Strong construction suitable to bigger chairs
- > Compact mechanisms easy to cover
- > Torsion spring is adjustable and ensures the right balance in the chair
- > Available with or without a brake system
- > The handle for the brake system can be customized

Technical specifications

- > Standard 12° inclination to the floor
- > Movements from 0° to 18°



Compatible with more products

This mechanism can be combined with more products including frames, triggers, adapters, center tubes, bases and swivels.

CLICK and find all our products online

MECHANISMS,
MOTORS ETC

BASES AND
SWIVELS

STEEL PARTS, POWDER
COATING ETC

HEALTHCARE AND
LIFT SYSTEMS

MOULDED
FOAM

SEWING AND
UPHOLSTERY



- > Simplify your supply chain
- > Secure strong cooperation
- > Experience hands-on support



Back frame



Mechanism



Swivel part

Base