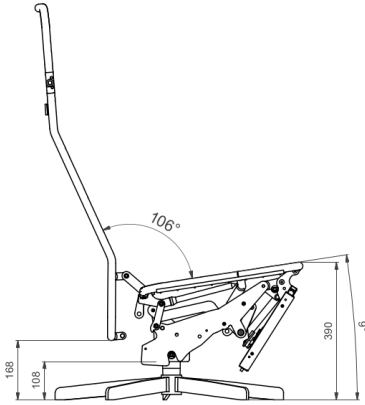


# 7800 Full Lift w. Swivel



- > All mechanisms are available as a standard option
- > All mechanisms can be customized to accommodate special requirements
- > All mechanisms can be combined with more products for complete solution

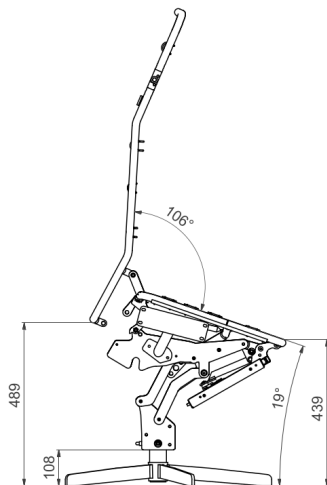


## Functionality and benefits

- > Lift function and footrest with one motor
- > Reclining of back with individual motor
- > Optional to adjust the shape of back frame to fit into customers design requirements

## Technical specifications

- > Standard 106° on back frame in sitting position
- > 168 mm from floor to lowest point of back frame in sitting position
- > 489 mm from floor to lowest point of back frame in elevated position



## Compatible with more products

This mechanism can be combined with more products including frames, triggers, adapters, center tubes, bases and swivels.

CLICK and find all our products online

MECHANISMS,  
MOTORS ETC

BASES AND  
SWIVELS

STEEL PARTS, POWDER  
COATING ETC

HEALTHCARE AND  
LIFT SYSTEMS

MOULDED  
FOAM

SEWING AND  
UPHOLSTERY



- > Simplify your supply chain
- > Secure strong cooperation
- > Experience hands-on support

