

7801 Heavy Lift



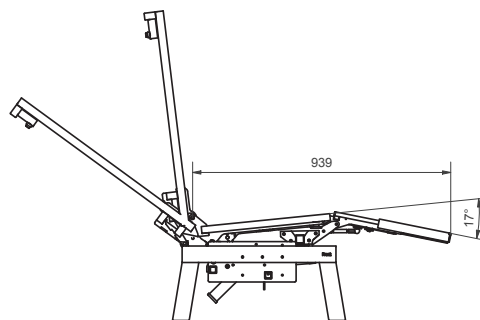
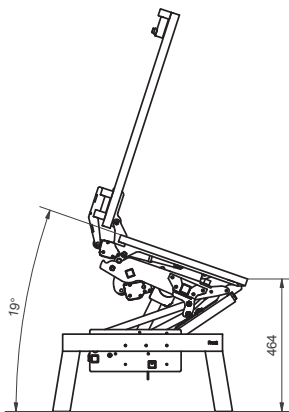
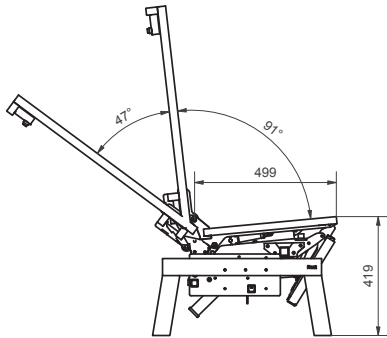
- > All mechanisms are available as a standard option
- > All mechanisms can be customized to accommodate special requirements
- > All mechanisms can be combined with more products for complete solution

Functionality and benefits

- > Lift and footrest functions with separate motors
- > Individual motor for back frame
- > The shape of the back can be adjusted to the customer's individual requirements
- > Lift up to 250 kg

Technical specifications

- > Standard of 91° on back frame in sitting position
- > Reclining movement of 47°
- > Maximum front height of 464 mm in lifted position
- > Angle of back frame is 19° in lifted position



Compatible with more products

This mechanism can be combined with more products including frames, triggers, adapters, center tubes, bases and swivels.

CLICK and find all our products online

MECHANISMS,
MOTORS ETC

BASES AND
SWIVELS

STEEL PARTS, POWDER
COATING ETC

HEALTHCARE AND
LIFT SYSTEMS

MOULDED
FOAM

SEWING AND
UPHOLSTERY



- > Simplify your supply chain
- > Secure strong cooperation
- > Experience hands-on support

