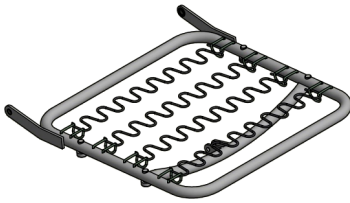
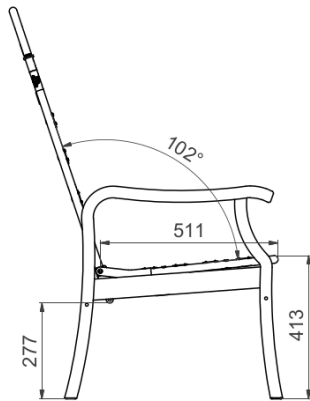


9300 Back Tilt w. 4 Legs

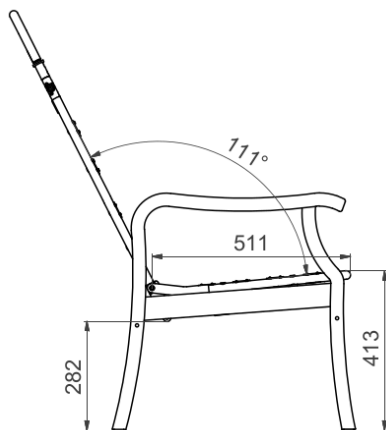


- > All mechanisms are available as a standard option
- > All mechanisms can be customized to accommodate special requirements
- > All mechanisms can be combined with more products for complete solution



Functionality and benefits

- > A simple and reliable mechanism with tilt function
- > Smooth movement of back frame with gas spring
- > Compatible with most designs by adjustment of the tilt function
- > The seat is fixed with gas spring and back tilt adjustment is released by a trigger
- > The mechanism is highly adaptable and height, width etc. can be customized upon request



Technical specifications

- > Standard of 102° on back frame in sitting position
- > Tilt movement up 9°
- > The length from back frame to seat front is not influenced by the tilt function and remains 511 mm

Compatible with more products

This mechanism can be combined with more products including frames, triggers, adapters, center tubes, bases and swivels.

CLICK and find all our products online

MECHANISMS,
MOTORS ETC

BASES AND
SWIVELS

STEEL PARTS, POWDER
COATING ETC

HEALTHCARE AND
LIFT SYSTEMS

MOULDED
FOAM

SEWING AND
UPHOLSTERY



- > Simplify your supply chain
- > Secure strong cooperation
- > Experience hands-on support

