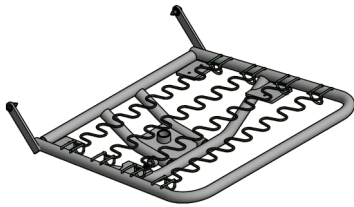
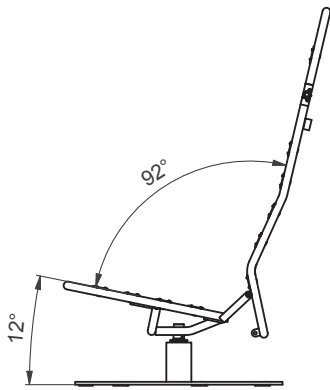


## 9350 Back Tilt Slim

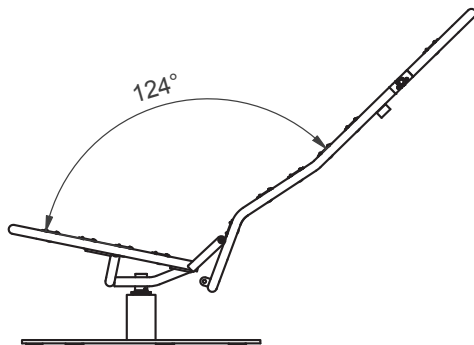


- › All mechanisms are available as a standard option
- › All mechanisms can be customized to accommodate special requirements
- › All mechanisms can be combined with more products for complete solution



### Functionality and benefits

- › A simple and reliable mechanism with tilt function
- › Smooth movement of back frame with gas spring
- › Compatible to use with swivel parts and a base for 360° turning function
- › Compatible with most designs by adjustment of the tilt function
- › The seat is fixed with gas spring and back tilt adjustment is released by a trigger
- › The mechanism is highly adaptable and height, width etc. can be customized upon request



### Technical specifications

- › Standard of 92° on back frame in sitting position
- › Tilt movement up 32°

### Compatible with more products

This mechanism can be combined with more products including frames, triggers, adapters, center tubes, bases and swivels.

CLICK and find all our products online

MECHANISMS,  
MOTORS ETC

BASES AND  
SWIVELS

STEEL PARTS, POWDER  
COATING ETC

HEALTHCARE AND  
LIFT SYSTEMS

MOULDED  
FOAM

SEWING AND  
UPHOLSTERY



- › Simplify your supply chain
- › Secure strong cooperation
- › Experience hands-on support

