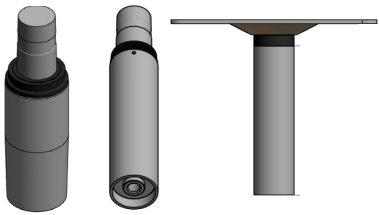
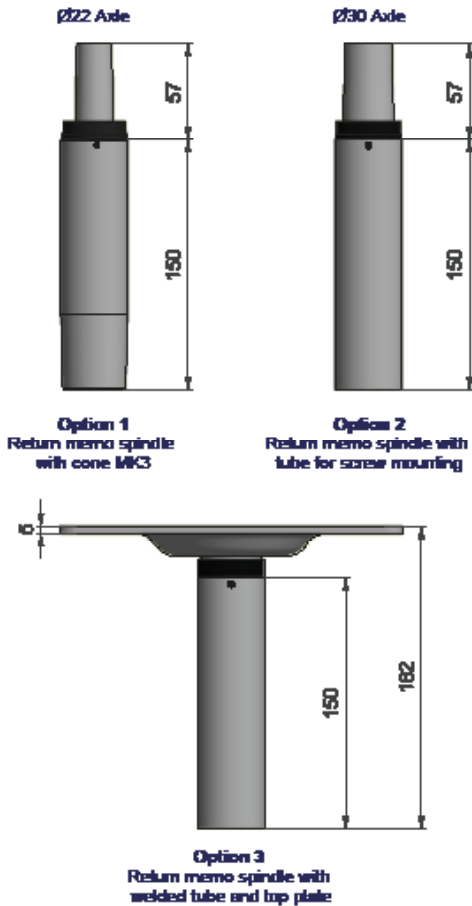


Return Memo Spindle



- › All spindles are available as a standard option
- › All spindles can be customized to accommodate special requirements
- › All spindles can be combined with more products for complete solution



Functionality and benefits

- › By using a return memo spindle the chair will return into starting position after use
- › The return memo spindle can be built in all types of swivel parts for complete solution
- › To secure stability there are some limitations in the lengths of the return spindles
- › We can customize solutions for constructions with limited space
- › Optional to mill the outer part of column to hide the return memo spindle in a wooden base

Technical specifications

- › Standard top axle of 22, 28 or 30 mm (MK3)
- › Option 1) minimum total length of 207 mm
- › Option 2) minimum total length of 207 mm including tube length of 150 mm to hide the memo spindle
- › Option 3) minimum length of 182 mm including tube length of 150 mm to hide the memo spindle
- › Standard tube diameters of Ø40 and Ø50 mm

Compatible with more products

This mechanism can be combined with more products including frames, triggers, adapters, center tubes, bases and swivels.

CLICK and find all our products online

MECHANISMS,
MOTORS ETC

BASES AND
SWIVELS

STEEL PARTS, POWDER
COATING ETC

HEALTHCARE AND
LIFT SYSTEMS

MOULDED
FOAM

SEWING AND
UPHOLSTERY



- › Simplify your supply chain
- › Secure strong cooperation
- › Experience hands-on support

