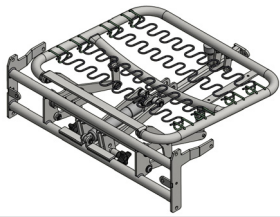
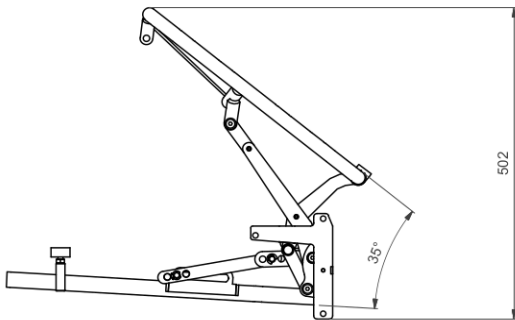


9360 SEAT LIFT MOTOR

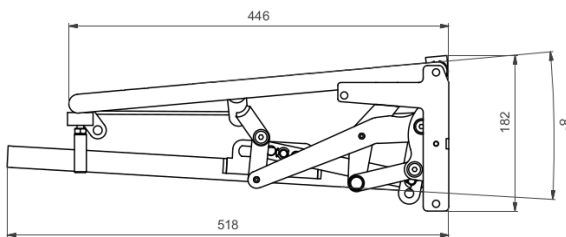


- > All mechanisms are available as a standard option
- > All mechanisms can be customized to accommodate special requirements
- > All mechanisms can be combined with more products for complete solution



Functionality and benefits

- > Mechanism with front rails and seat lift function
- > Suitable with our standard back frames which can be customized in shape upon request
- > Support installation of back frame in fixed position or with back frames with movement (by adding motor)
- > Optional to mount armrest



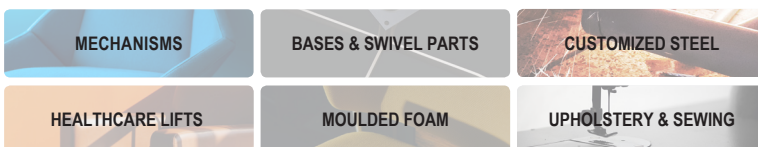
Technical specifications

- > Lift up to 125 kg
- > Lift movement of maximum 35°

COMPATIBLE PRODUCTS

This mechanism can be combined with more products including frames, triggers, adapters, center tubes, bases and swivel parts.

CLICK to see more information and product options online



- > Simplify your supply chain
- > Secure strong cooperation
- > Experience hands-on support