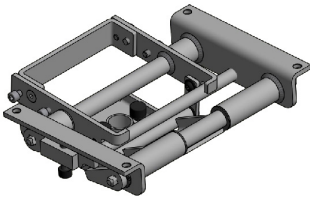


7275 SYNCHRO TILT



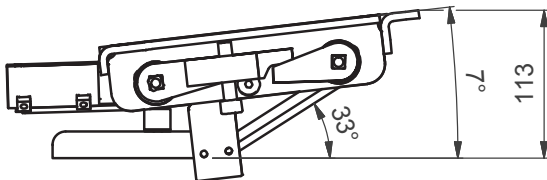
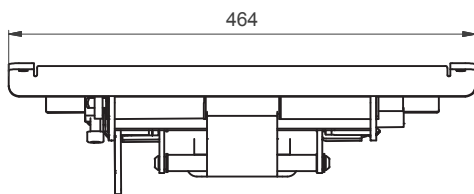
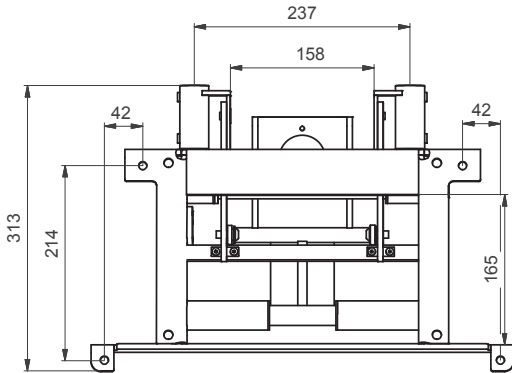
- › All mechanisms are available as a standard option
- › All mechanisms can be customized to accommodate special requirements
- › All mechanisms can be combined with more products for complete solution

Functionality and benefits

- › Mechanism is based on 7275 Compact Tilt but build to provide extra movement in tilt function
- › Synchronized movement between back frame and seat

Technical specifications

- › Movement from 0° - 33°



COMPATIBLE PRODUCTS

This mechanism can be combined with more products including frames, triggers, adapters, center tubes, bases and swivel parts.

CLICK to see more information and product options online

MECHANISMS

BASES & SWIVEL PARTS

CUSTOMIZED STEEL

HEALTHCARE LIFTS

MOULDED FOAM

UPHOLSTERY & SEWING



- › Simplify your supply chain
- › Secure strong cooperation
- › Experience hands-on support

