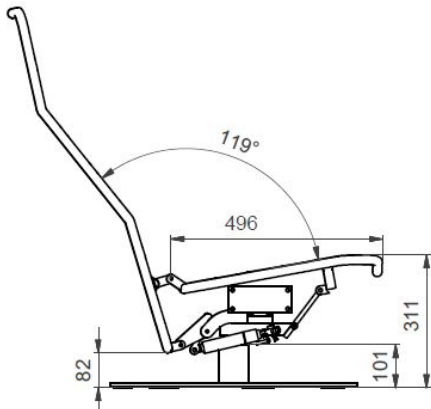


- > All mechanisms are available as a standard option
- > All mechanisms can be customized to accommodate special requirements
- > All mechanisms can be combined with more products for complete solution

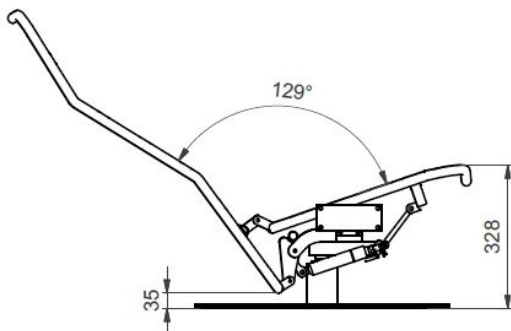


Functionality and benefits

- > Mechanism with unique low front height
- > In movement the front only elevates 17 mm
- > Smooth reclining with gas spring
- > Optional to stop reclining movement in all positions
- > Ergonomic comfort with synchronised seat and back
- > Armrest is not required
- > Armrest is optional and can be mounted on the seat frame or on the mechanism with an adaptor

Technical specifications

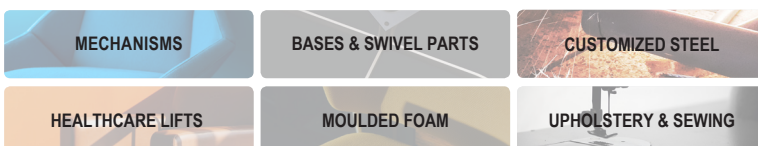
- > Minimum front height 311 mm
- > Seat width 500 mm



COMPATIBLE PRODUCTS

This mechanism can be combined with more products including frames, triggers, adapters, center tubes, bases and swivel parts.

CLICK to see more information and product options online



- > Simplify your supply chain
- > Secure strong cooperation
- > Experience hands-on support

