

7750 SLIDE LIFT



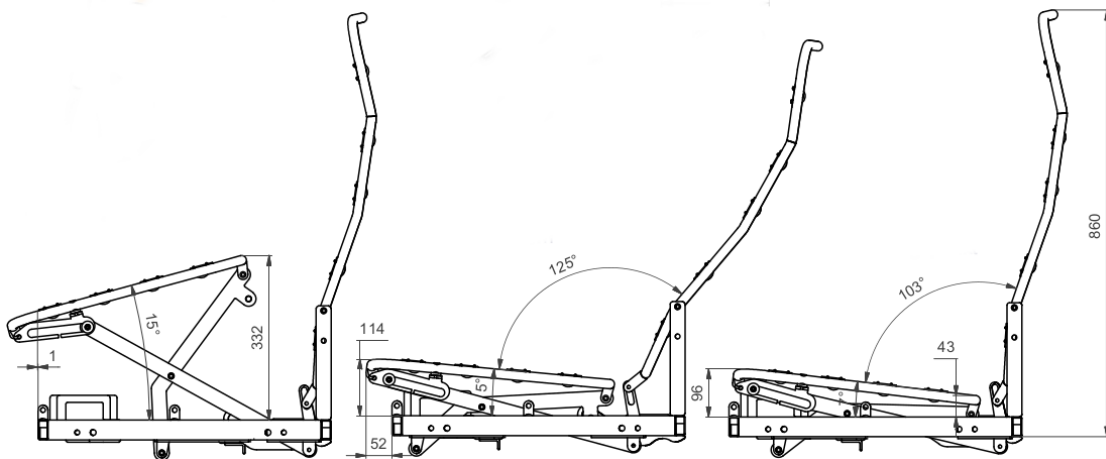
- > All mechanisms are available as a standard option
- > All mechanisms can be customized to accommodate special requirements
- > All mechanisms can be combined with more products for complete solution

Functionality and benefits

- > Mechanism with lift function suitable for almost all chair constructions
- > Optional slide function
- > The mechanism can be customized to fit existing chairs

Technical specifications

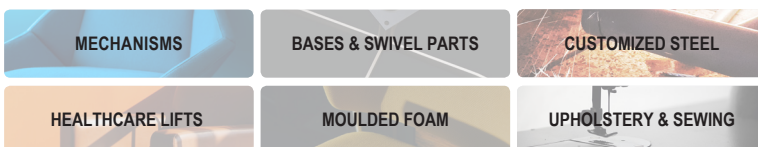
- > Tilt movement of 22°
- > Lift movement of 15°
- > Elevation of seat maximum 322 mm



COMPATIBLE PRODUCTS

This mechanism can be combined with more products including frames, triggers, adapters, center tubes, bases and swivel parts.

CLICK to see more information and product options online



- > Simplify your supply chain
- > Secure strong cooperation
- > Experience hands-on support

