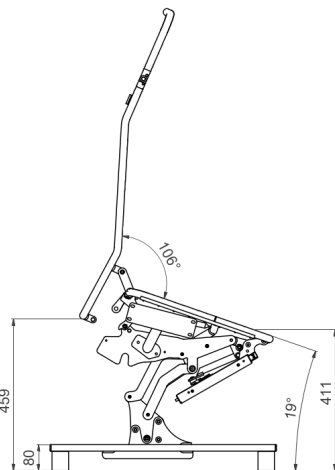
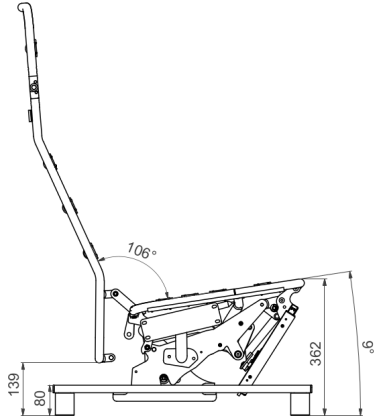


7800 FULL LIFT W. 4 LEGS



- > All mechanisms are available as a standard option
- > All mechanisms can be customized to accommodate special requirements
- > All mechanisms can be combined with more products for complete solution



Functionality and benefits

- > Lift function and footrest with one motor
- > Reclining of back with individual motor
- > Optional to adjust the shape of back frame to fit into customers design requirements

Technical specifications

- > Standard 106° on back frame in sitting position
- > 139 mm from floor to lowest point of back frame in sitting position
- > 459 mm from floor to lowest point of back frame in elevated position

COMPATIBLE PRODUCTS

This mechanism can be combined with more products including frames, triggers, adaptors, center tubes, bases and swivel parts.

CLICK to see more information and product options online

MECHANISMS

BASES & SWIVEL PARTS

CUSTOMIZED STEEL

HEALTHCARE LIFTS

MOULDED FOAM

UPHOLSTERY & SEWING



- > Simplify your supply chain
- > Secure strong cooperation
- > Experience hands-on support

