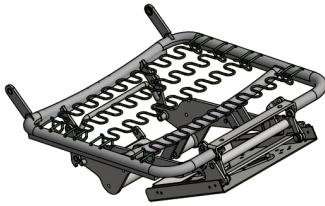
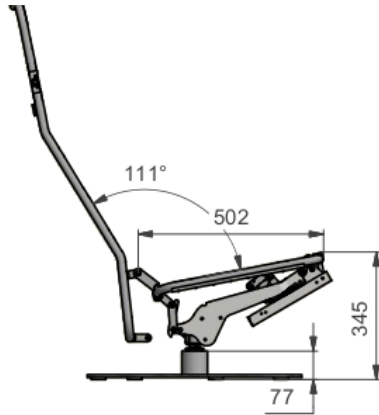


7850 HIDDEN FOOTREST

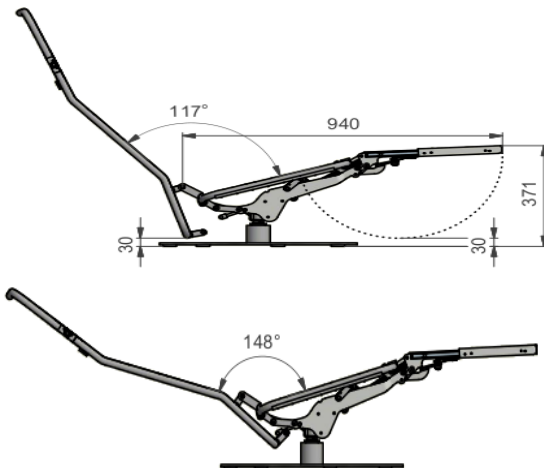


- › All mechanisms are available as a standard option
- › All mechanisms can be customized to accommodate special requirements
- › All mechanisms can be combined with more products for complete solution



Functionality and benefits

- › With a slight push to the armrest the footrest elevates and extends
- › Smooth reclining function with lowered seat at the back
- › Ergonomic and comfortable sitting position
- › Optional adjustment of back frame position
- › Optional armrest can be mounted with fixed bridge or adaptor and easily adjusted to fit design requirements
- › Compatible with different trigger and motor solutions
- › Suitable for chairs with both swivel or 4-legs
- › Prepared for 2- or 3-seat versions
- › Prepared for 1 or 2 motors



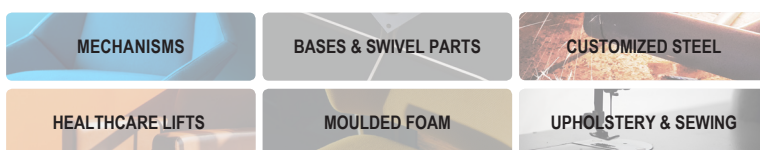
Technical specifications

- › Min. front height 345 mm
- › Standard seat width 500 mm (max 800 mm)
- › Footrest length 438 mm
- › Footrest start position 25°
- › Available with fixed bridge or adaptor solution

COMPATIBLE PRODUCTS

This mechanism can be combined with more products including frames, triggers, adapters, center tubes, bases and swivel parts.

CLICK to see more information and product options online



- › Simplify your supply chain
- › Secure strong cooperation
- › Experience hands-on support

