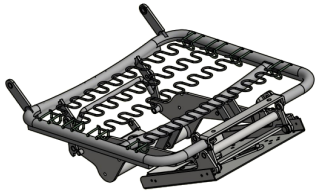
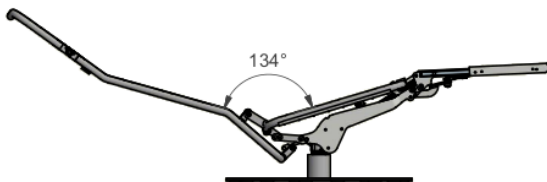
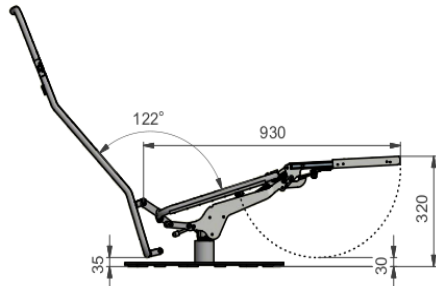
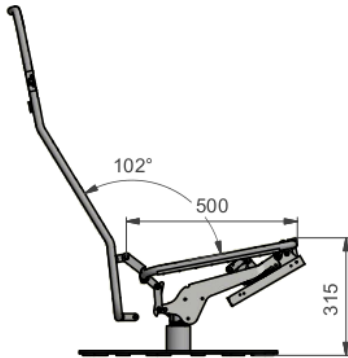


7851 HIDDEN FOOTREST SHORT



- > All mechanisms are available as a standard option
- > All mechanisms can be customized to accommodate special requirements
- > All mechanisms can be combined with more products for complete solution



Functionality and benefits

- > With a slight push to the armrest the footrest elevates and extends
- > Smooth reclining function with lowered seat at the back
- > Ergonomic and comfortable sitting position
- > Optional adjustment of back frame position
- > Optional armrests can be mounted with fixed bridge or adaptor and easily adjusted to fit design requirements
- > Compatible with different trigger and motor solutions
- > Suitable for chairs with both swivel or 4-legs
- > Prepared for 2- or 3-seat versions
- > Prepared for 1 or 2 motors

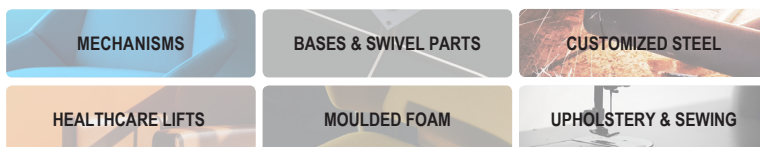
Technical specifications

- > Min. front height 315 mm
- > Standard seat width 500 mm (max 800 mm)
- > Footrest length 430 mm
- > Footrest start position 25°

COMPATIBLE PRODUCTS

This mechanism can be combined with more products including frames, triggers, adapters, center tubes, bases and swivel parts.

CLICK to see more information and product options online



- > Simplify your supply chain
- > Secure strong cooperation
- > Experience hands-on support

