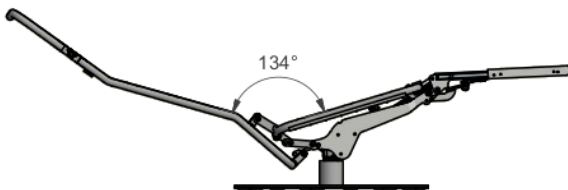
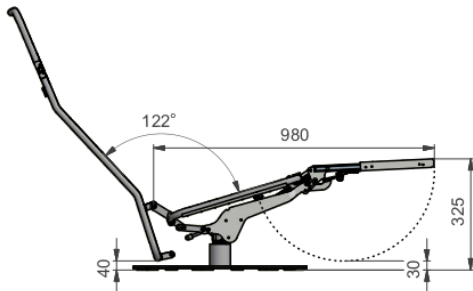
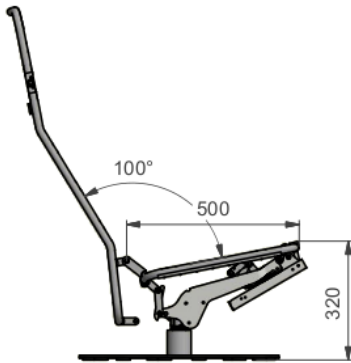


7852 HIDDEN FOOTREST LONG



- › All mechanisms are available as a standard option
- › All mechanisms can be customized to accommodate special requirements
- › All mechanisms can be combined with more products for complete solution



Functionality and benefits

- › With a slight push to the armrest the footrest elevates and extends
- › Smooth reclining function with lowered seat at the back
- › Ergonomic and comfortable sitting position
- › Optional adjustment of back frame position
- › Optional armrests can be mounted with fixed bridge or adaptor and easily adjusted to fit design requirements
- › Compatible with different trigger and motor solutions
- › Suitable for chairs with both swivel or 4-legs
- › Prepared for 2- or 3-seat versions
- › Prepared for 1 or 2 motors

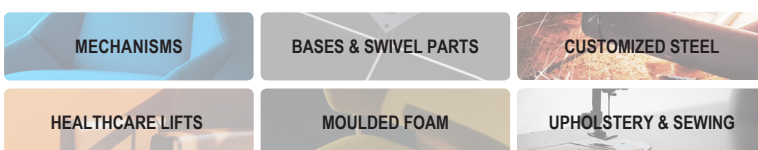
Technical specifications

- › Min. front height 315 mm
- › Standard seat width 500 mm (max 800 mm)
- › Footrest length 480 mm
- › Footrest start position 25°

COMPATIBLE PRODUCTS

This mechanism can be combined with more products including frames, triggers, adapters, center tubes, bases and swivel parts.

CLICK to see more information and product options online



- › Simplify your supply chain
- › Secure strong cooperation
- › Experience hands-on support

