

7853 HIDDEN FOOTREST XL



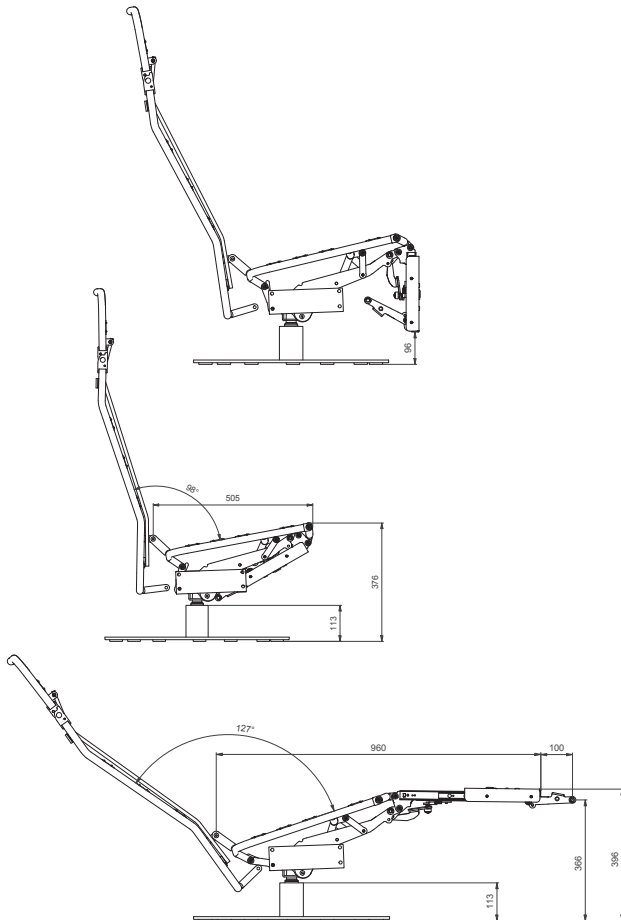
- > All mechanisms are available as a standard option
- > All mechanisms can be customized to accommodate special requirements
- > All mechanisms can be combined with more products for complete solution

Functionality and benefits

- > By small push with an arm the footrest elevates and extends
- > Smooth reclining function with lowered seat at the back
- > Ergonomic and comfortable sitting position
- > Optional adjustment of back frame position
- > Optional armrest can be mounted with fixed bridge or adaptor and easily adjusted to fit design requirements
- > Compatible with different trigger and motor solutions
- > Suitable for chairs with both swivel or 4-legs
- > Prepared for 2- or 3-seat versions
- > Prepared for 1 or 2 motors

Technical specifications

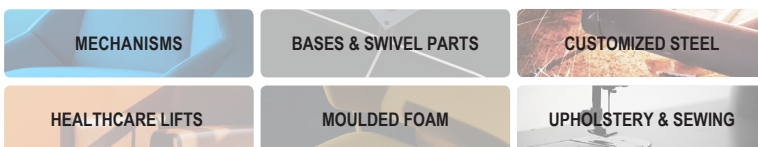
- > Standard of 98° on back frame in sitting position
- > Reclining movement 29°
- > Maximum length 1060 mm including footrest



COMPATIBLE PRODUCTS

This mechanism can be combined with more products including frames, triggers, adapters, center tubes, bases and swivel parts.

CLICK to see more information and product options online



- > Simplify your supply chain
- > Secure strong cooperation
- > Experience hands-on support

