

# 7880 ZERO GRAVITY



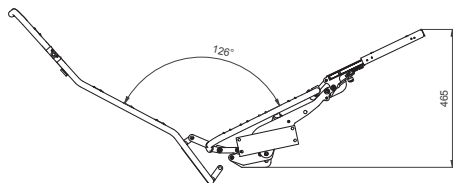
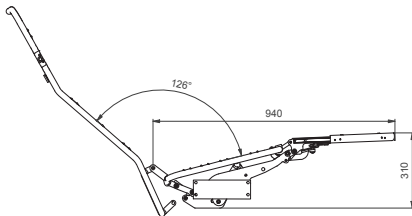
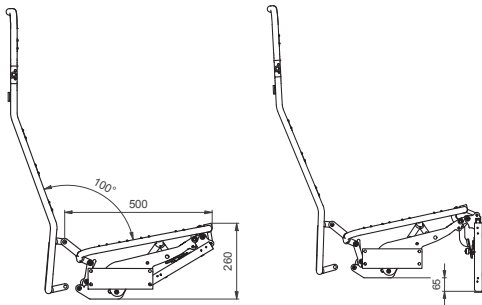
- > All mechanisms are available as a standard option
- > All mechanisms can be customized to accommodate special requirements
- > All mechanisms can be combined with more products for complete solution

## Functionality and benefits

- > Ergonomic and comfortable sitting position
- > 3 independent motors provides following 3 functions: reclining, extending footrest and zero gravity position
- > Hidden footrest makes this mechanism fit into almost all designs
- > Great movement allows to elevate legs above heart level providing increased blood circulation

## Technical specifications

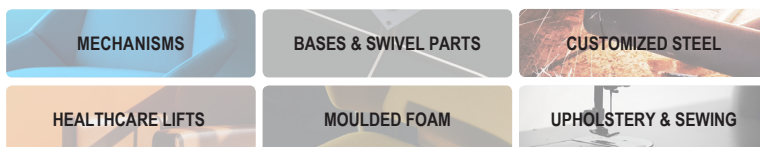
- > Standard 100° on back in sitting position
- > Reclining movement of 26°



## COMPATIBLE PRODUCTS

This mechanism can be combined with more products including frames, triggers, adapters, center tubes, bases and swivel parts.

**CLICK** to see more information and product options online



- > Simplify your supply chain
- > Secure strong cooperation
- > Experience hands-on support

