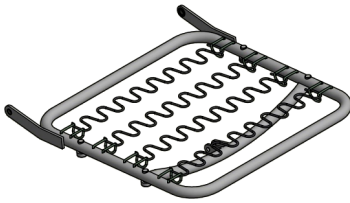
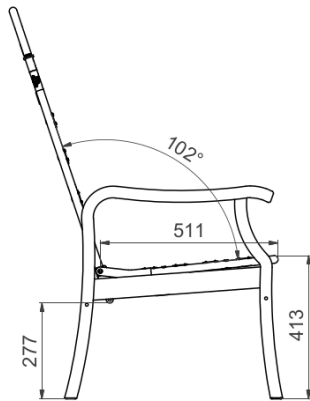


## 9300 BACK TILT W. 4 LEGS



- > All mechanisms are available as a standard option
- > All mechanisms can be customized to accommodate special requirements
- > All mechanisms can be combined with more products for complete solution

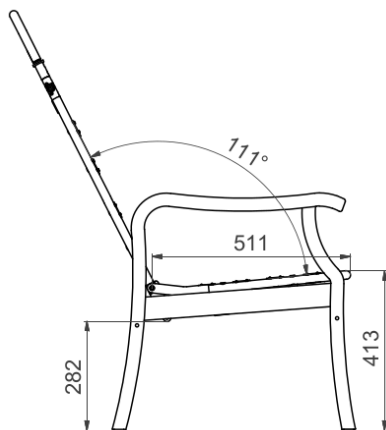


### Functionality and benefits

- > A simple and reliable mechanism with tilt function
- > Smooth movement of back frame with gas spring
- > Compatible with most designs by adjustment of the tilt function
- > The seat is fixed with gas spring and back tilt adjustment is released by a trigger
- > The mechanism is highly adaptable and height, width etc. can be customized upon request

### Technical specifications

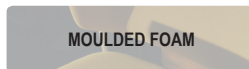
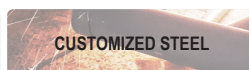
- > Standard of 102° on back frame in sitting position
- > Tilt movement up 9°
- > The length from back frame to seat front is not influenced by the tilt function and remains 511 mm



## COMPATIBLE PRODUCTS

This mechanism can be combined with more products including frames, triggers, adapters, center tubes, bases and swivel parts.

**CLICK** to see more information and product options online



- > Simplify your supply chain
- > Secure strong cooperation
- > Experience hands-on support

