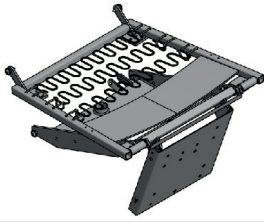
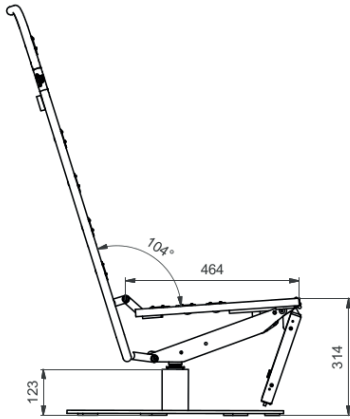


# 7950 GRAVITY FOOTREST

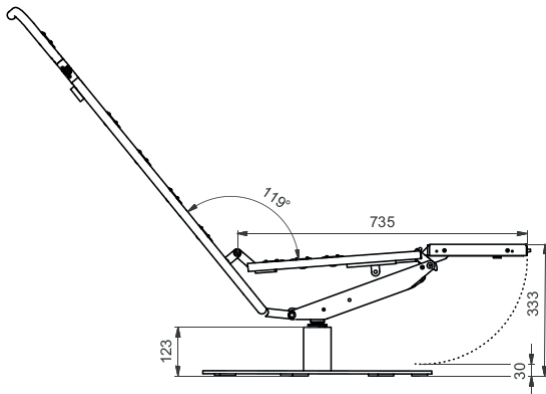


- > All mechanisms are available as a standard option
- > All mechanisms can be customized to accommodate special requirements
- > All mechanisms can be combined with more products for complete solution



## Functionality and benefits

- > The Gravity mechanism works by using your bodyweight - leaning backwards will trigger fully reclined position with footrest elevated and extended
- > Smooth reclining with gas spring
- > Optional to stop reclining movement in all positions
- > Ergonomic comfort with synchronized movement of seat and back
- > Armrest is not required
- > Armrest is optional and can be mounted with fixed bridge or adaptor solution and is easily adjusted to fit design requirements



## Technical specifications

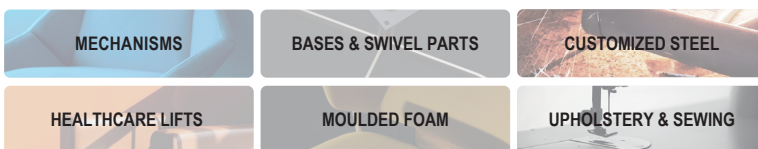
- > Standard of 104° on back frame in sitting positions
- > Reclining movement of 15°
- > Footrest elevates to 333 mm above the floor

*This mechanism is designed for one person of max. 125 kg.  
Do not sit on or lift in the footrest as this may damage the mechanism.*

## COMPATIBLE PRODUCTS

This mechanism can be combined with more products including frames, triggers, adapters, center tubes, bases and swivel parts.

**CLICK** to see more information and product options online



- > Simplify your supply chain
- > Secure strong cooperation
- > Experience hands-on support

