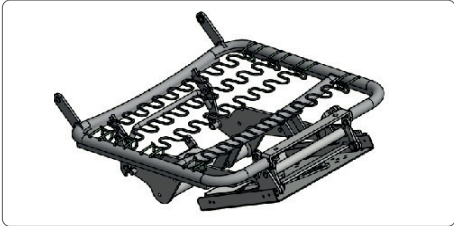
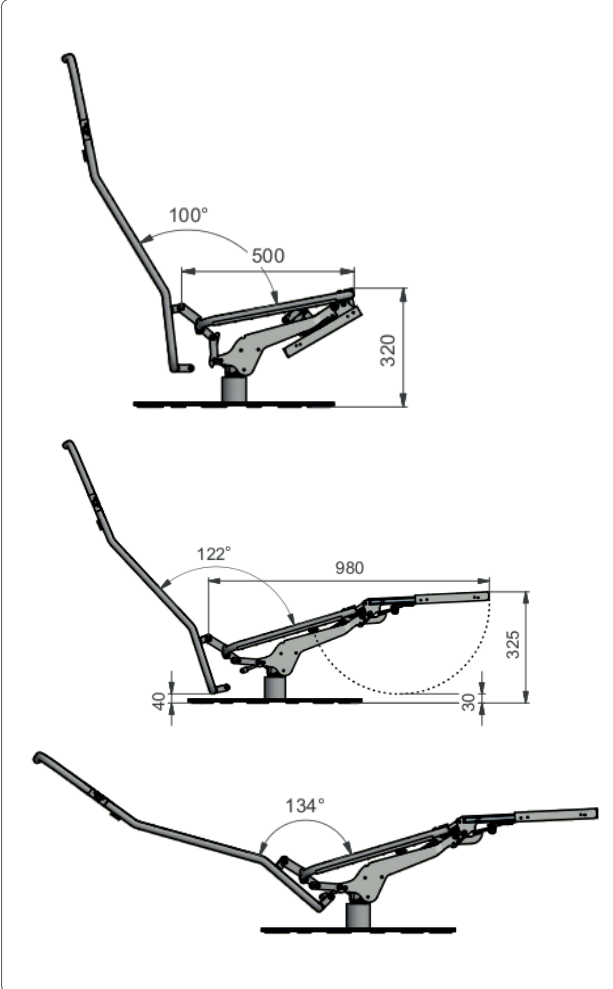


7852 HIDDEN FOOTREST LONG



- > All mechanisms are available as a standard option
- > All mechanisms can be customized to accommodate special requirements
- > All mechanisms can be combined with more products for complete solution



Functionality and benefits

- > With a slight push to the armrest the footrest elevates and extends
- > Smooth reclining function with lowered seat at the back
- > Ergonomic and comfortable sitting position
- > Optional adjustment of back frame position
- > Optional armrests can be mounted with fixed bridge or adaptor and easily adjusted to fit design requirements
- > Compatible with different trigger and motor solutions
- > Suitable for chairs with both swivel and 4-legs
- > Prepared for 2- or 3-seat versions
- > Prepared for 1 or 2 motors

Technical specifications

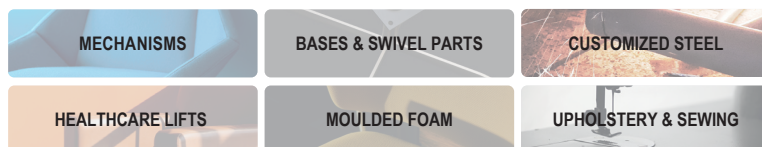
- > Min. front height 315 mm
- > Standard seat width 480 mm (max 800 mm)
- > Footrest length 480 mm
- > Footrest start position 25°

This mechanism is designed for one person of max. 125 kg. Do not sit on or lift in the footrest as this may damage the mechanism.

COMPATIBLE PRODUCTS

This mechanism can be combined with more products including frames, triggers, adapters, center tubes, bases and swivel parts.

CLICK to see more information and product options online



- > Simplify your supply chain
- > Secure strong cooperation
- > Experience hands-on support

