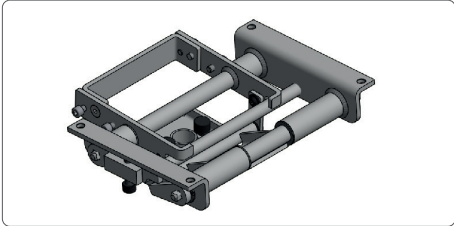
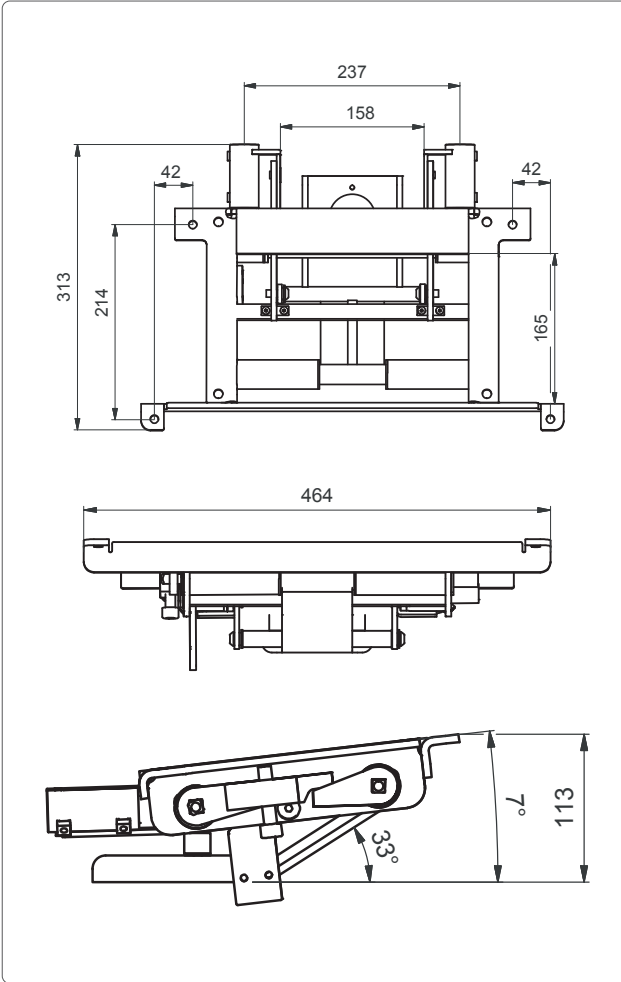


7275 SYNCHRO TILT



- > All mechanisms are available as a standard option
- > All mechanisms can be customized to accommodate special requirements
- > All mechanisms can be combined with more products for complete solution



Technical drawings showing dimensions and movement:

- Top view: 237 (width), 158 (inner width), 42 (offset), 313 (height), 214 (lower height), 165 (right height)
- Side view: 464 (width)
- Angle view: 33° (tilt angle), 113 (height), 0° (reference angle)

Functionality and benefits

- > Mechanism is based on 7275 Compact Tilt but built to provide extra movement in tilt function
- > Synchronized movement between back frame and seat

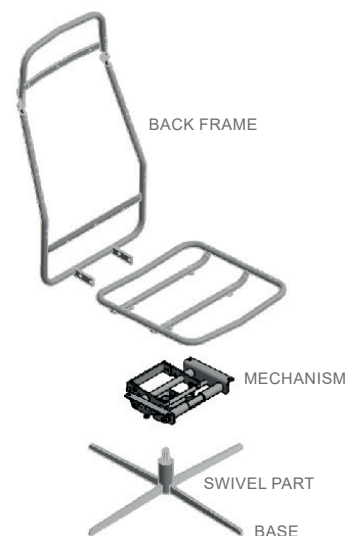
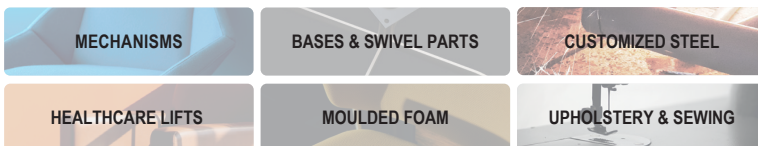
Technical specifications

- > Movement from 0° - 33°

COMPATIBLE PRODUCTS

This mechanism can be combined with more products including frames, triggers, adapters, center tubes, bases and swivel parts.

CLICK to see more information and product options online



- > Simplify your supply chain
- > Secure strong cooperation
- > Experience hands-on support