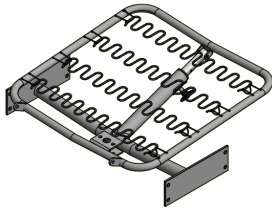
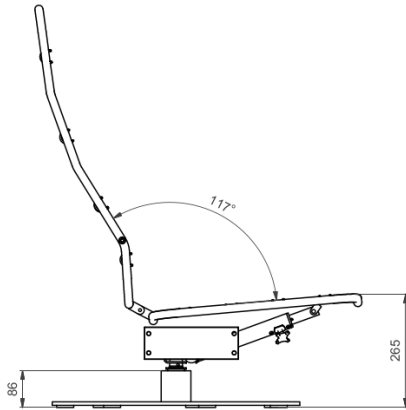


9000-0044 ZERO SLIDE



- > All mechanisms are available as a standard option
- > All mechanisms can be customized to accommodate special requirements
- > All mechanisms can be combined with more products for complete solution

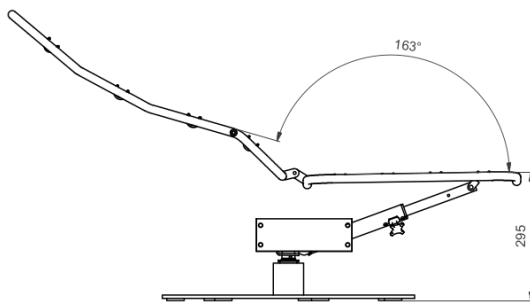


Functionality and benefits

- > Simple mechanism with sliding system
- > Suitable for chairs with both swivel or 4-legs
- > Optional to mount a brake system with trigger
- > Prepared for 2- or 3-seats version

Technical specifications

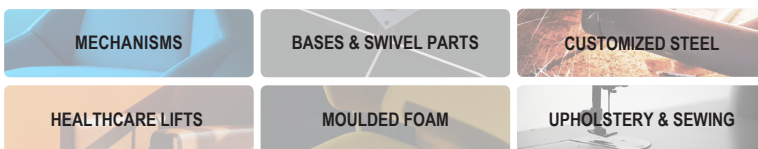
- > Standard of 117° in sitting position
- > Reclining movement of 46°
- > Seat front elevates from 265 to 295 mm in reclined position



COMPATIBLE PRODUCTS

This mechanism can be combined with more products including frames, triggers, adapters, center tubes, bases and swivel parts.

CLICK to see more information and product options online



- > Simplify your supply chain
- > Secure strong cooperation
- > Experience hands-on support

