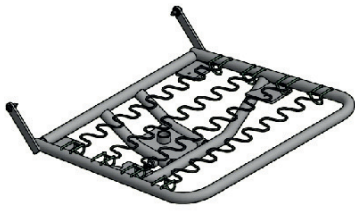
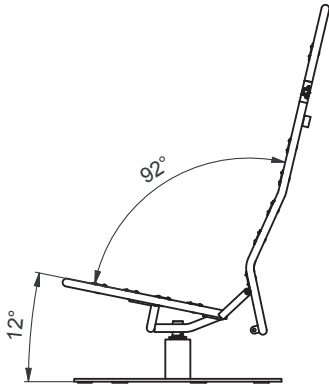


9350 BACK TILT W. SWIVEL

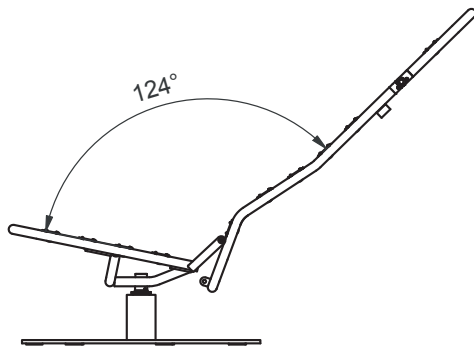


- > All mechanisms are available as a standard option
- > All mechanisms can be customized to accommodate special requirements
- > All mechanisms can be combined with more products for complete solution



Functionality and benefits

- > A simple and reliable mechanism with tilt function
- > Smooth movement of back frame with gas spring
- > Compatible to use with swivel parts and a base for 360° turning function
- > Compatible with most designs by adjustment of the tilt function
- > The seat is fixed with gas spring and back tilt adjustment is released by a trigger
- > The mechanism is highly adaptable and height, width etc. can be customized upon request



Technical specifications

- > Standard of 92° on back frame in sitting position
- > Tilt movement of 32°

COMPATIBLE PRODUCTS

This mechanism can be combined with more products including frames, triggers, adapters, center tubes, bases and swivel parts.

CLICK to see more information and product options online

MECHANISMS

BASES & SWIVEL PARTS

CUSTOMIZED STEEL

HEALTHCARE LIFTS

MOULDED FOAM

UPHOLSTERY & SEWING



- > Simplify your supply chain
- > Secure strong cooperation
- > Experience hands-on support

