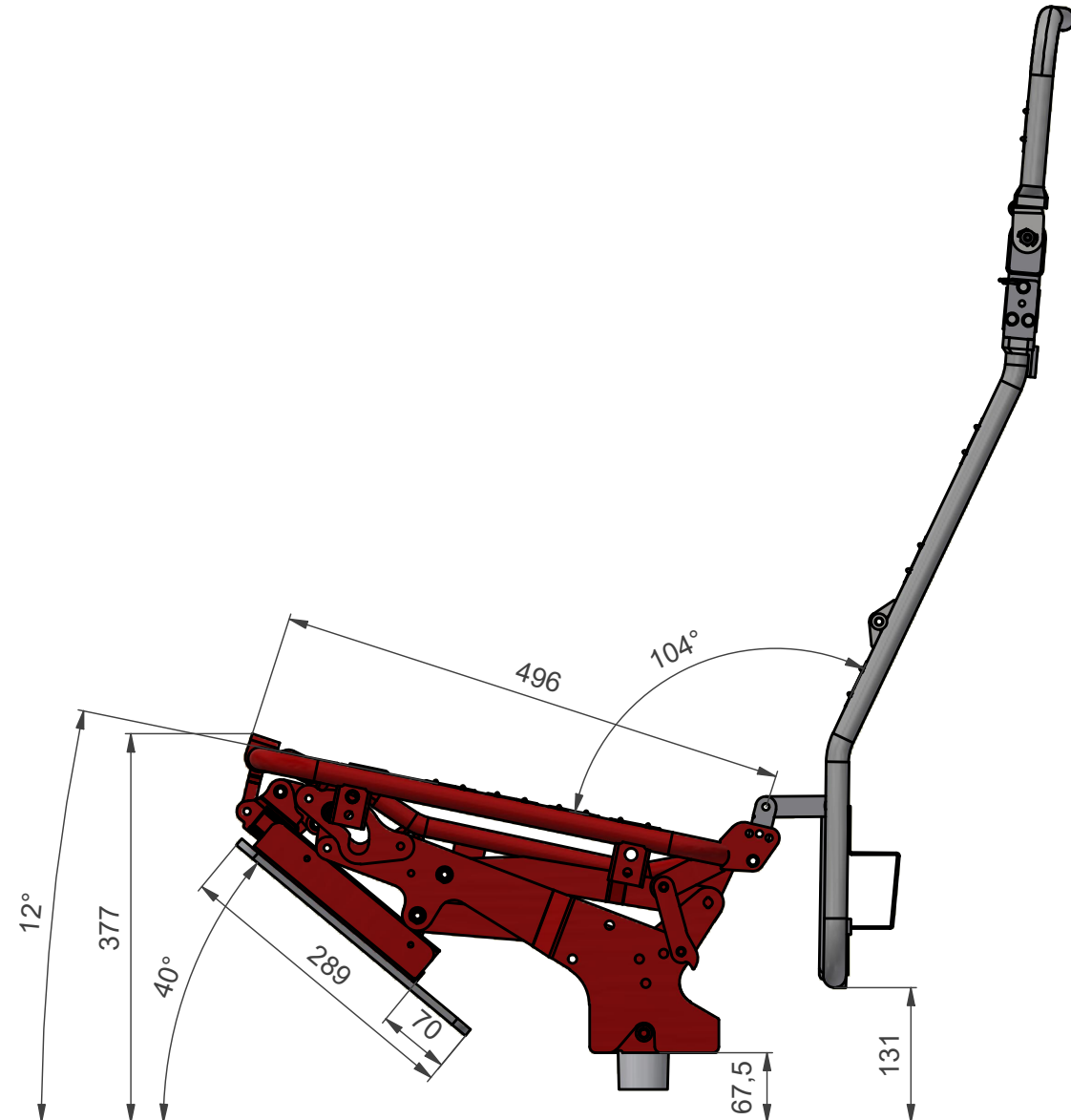
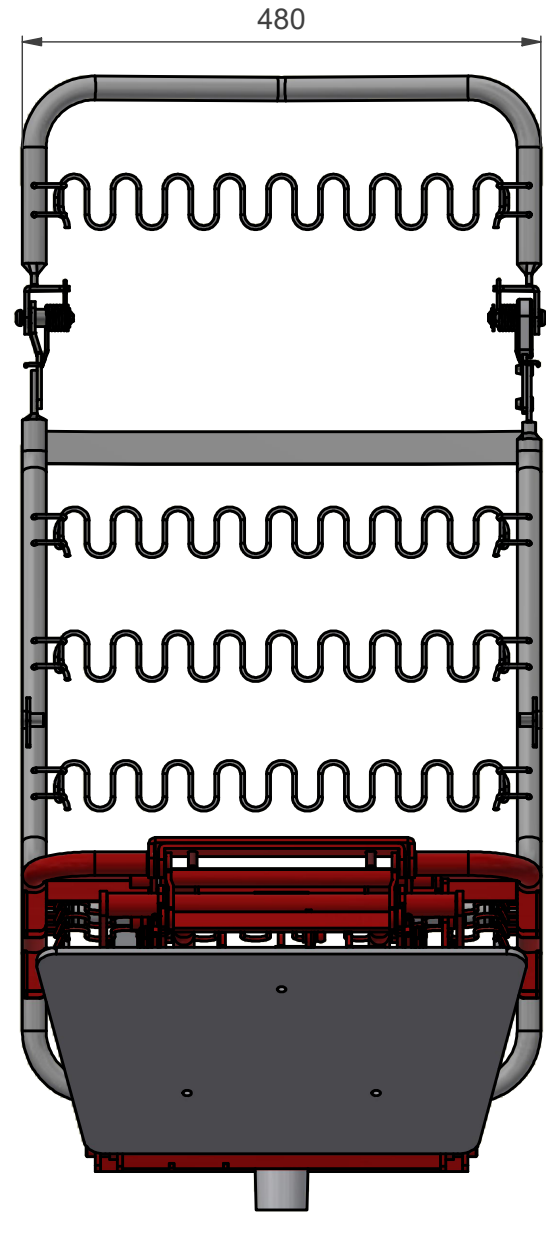


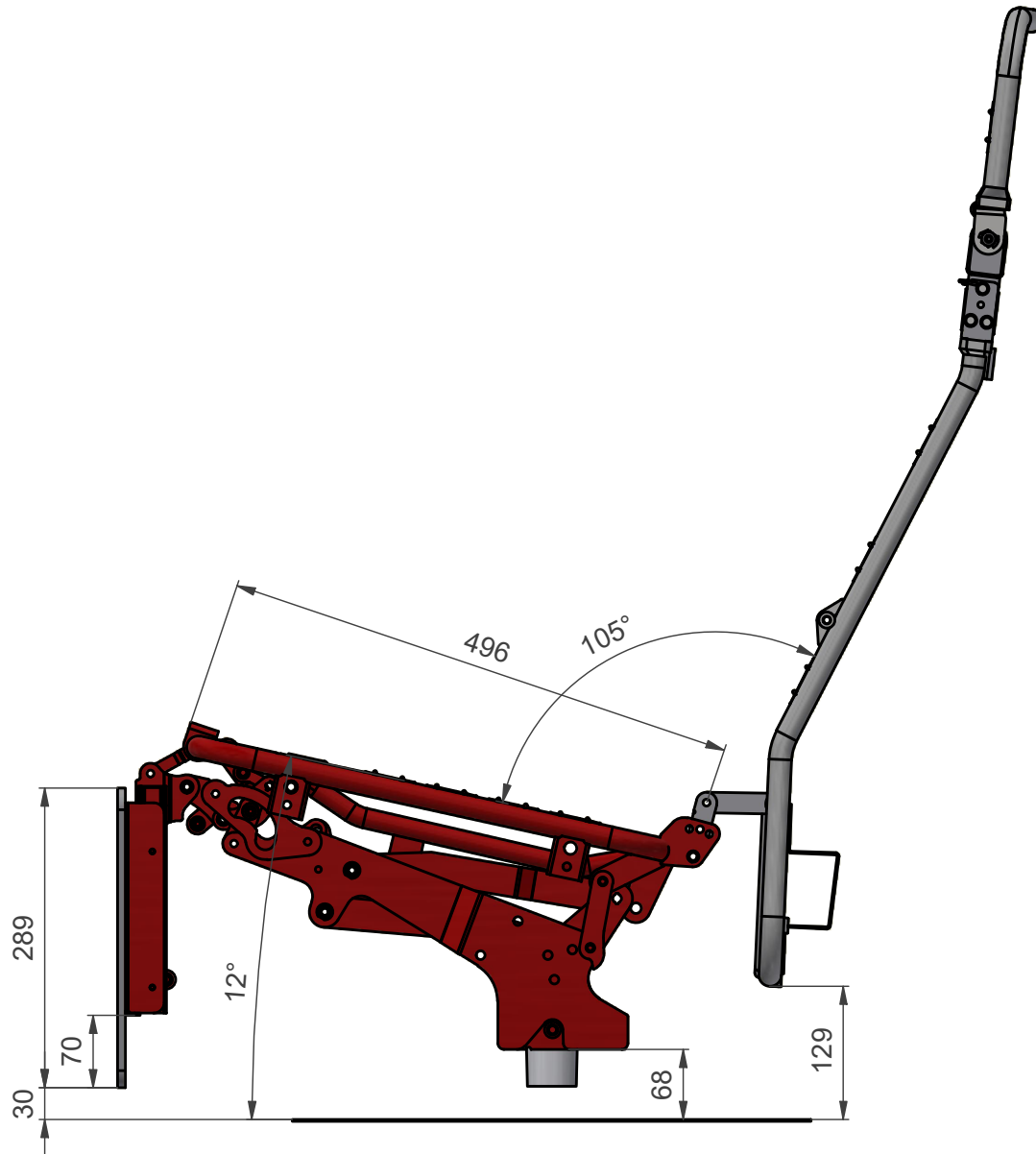
8384 Zero Gravity Lift

Info	Our mechanism (red object) is shown assembled with our additional products to indicate angles and dimensions.	Scale	Page no.	Contact
Rights	This document contain products owned by Schultz Seating Group. It is intended for collaboration with development purposes.	1:7	1 of 5	www.schultz-seating.com



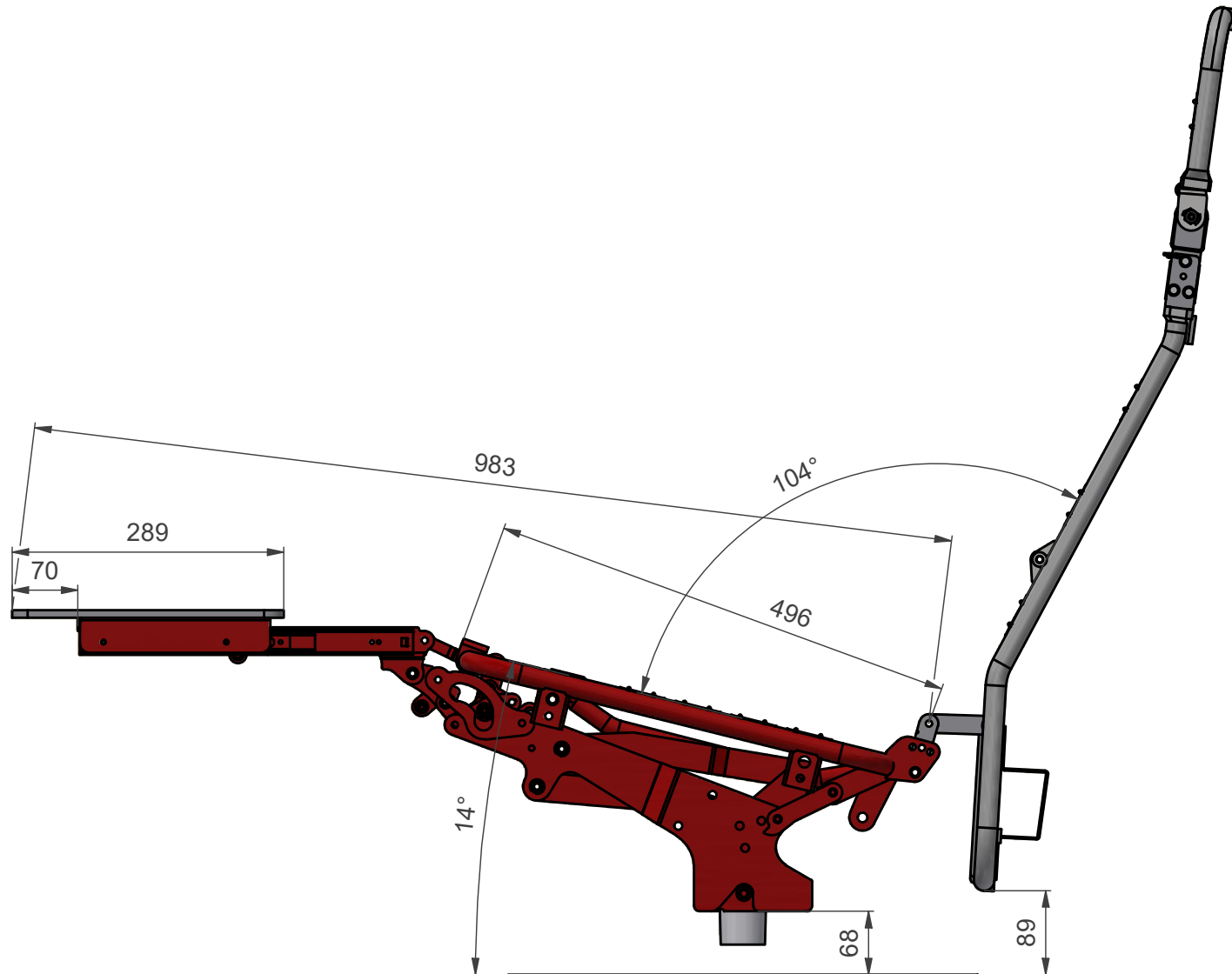
8384 Zero Gravity Lift

Info	Our mechanism (red object) is shown assembled with our additional products to indicate angles and dimensions.	Scale	Page no.	Contact
Rights	This document contain products owned by Schultz Seating Group. It is intended for collaboration with development purposes.	1:7	2 of 5	www.schultz-seating.com



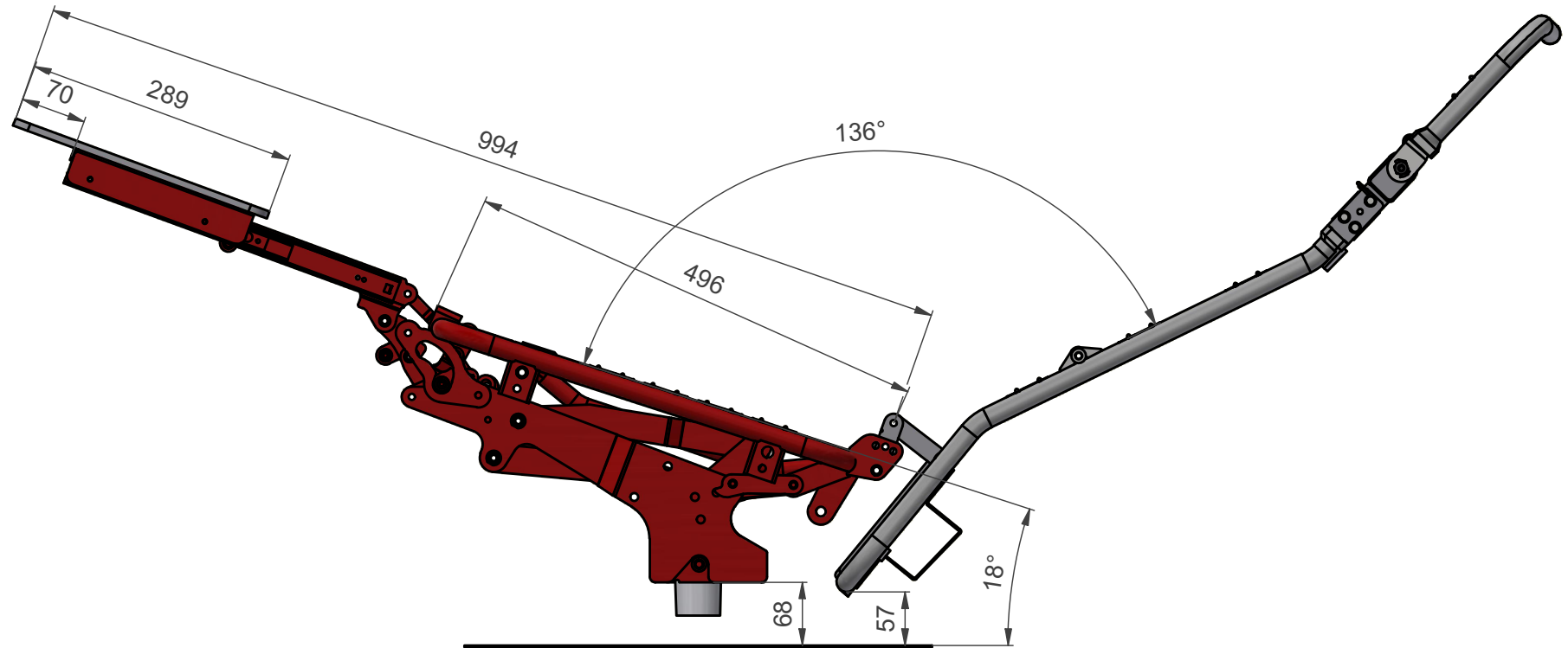
8384 Zero Gravity Lift

Info	Our mechanism (red object) is shown assembled with our additional products to indicate angles and dimensions.	Scale	Page no.	Contact
Rights	This document contain products owned by Schultz Seating Group. It is intended for collaboration with development purposes.	1:7	3 of 5	www.schultz-seating.com



8384 Zero Gravity Lift

Info	Our mechanism (red object) is shown assembled with our additional products to indicate angles and dimensions.	Scale	Page no.	Contact
Rights	This document contain products owned by Schultz Seating Group. It is intended for collaboration with development purposes.	1:7	4 of 5	www.schultz-seating.com



8384 Zero Gravity Lift

Info	Our mechanism (red object) is shown assembled with our additional products to indicate angles and dimensions.	Scale	Page no.	Contact
Rights	This document contain products owned by Schultz Seating Group. It is intended for collaboration with development purposes.	1:7	5 of 5	www.schultz-seating.com

