

PRODUCT NO. & NAME

8200-0009

Sofa footrest

Position: closed



SCHULTZ
SEATING SYSTEM

SCALE

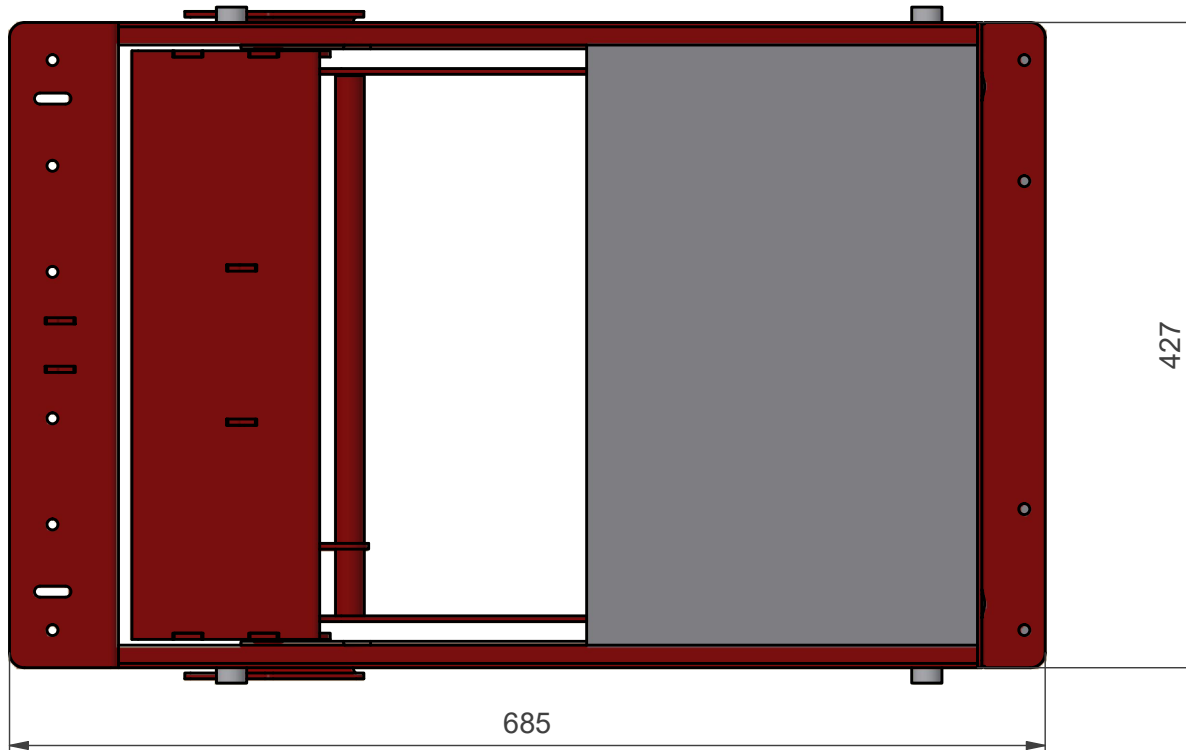
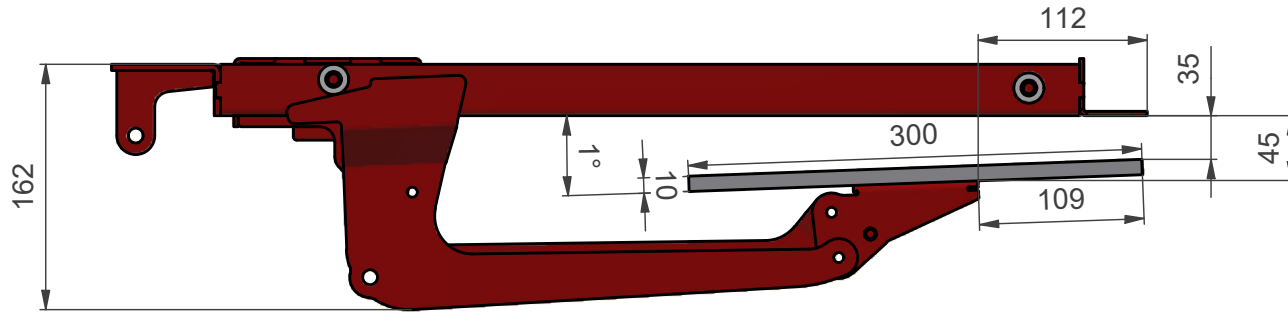
1 : 14

DATE 22.06.2022

INDEX: 01

DATE REV.:

MATERIAL



PRODUCT NO. & NAME

8200-0009

Sofa footrest

Position: Open



SCHULTZ
SEATING SYSTEM

SCALE

1 : 14

DATE 22.06.2022

INDEX: 01

DATE REV.:

MATERIAL

