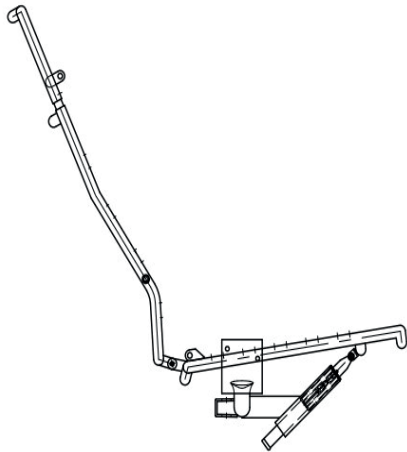


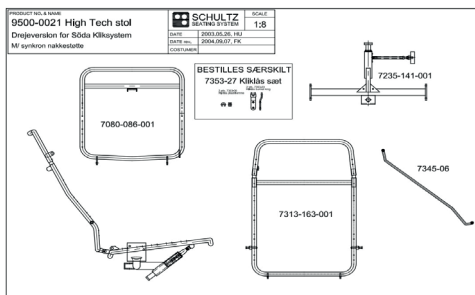
# 9500 HIGH TECH

- > All mechanisms are available as a standard option
- > All mechanisms can be customized to accommodate special requirements
- > All mechanisms can be combined with more products for complete solution



## Functionality and benefits

- > Model based on a special made Schultz slide
- > High sitting comfort
- > Synchronized headrest
- > The mechanism offers plenty of combination options. You can combine with various seats and backrests - the same applies to bases and armrests.
- > Suitable for chairs with swivel function and brake
- > Can be mounted on stand chairs with 4 legs
- > A patent click system makes assembling of the chair quick and simple



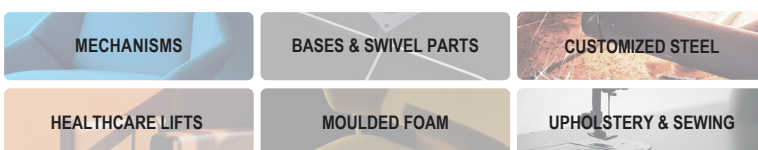
## 9500-0021 High Tech chair

- 7080-086-001 Seat frame
- 7313-163-001 Back frame
- 7235-141-001 Sliding mechanism
- 7345-06 Connecting bar
- 7353-27 Click lock - NOT included

## COMPATIBLE PRODUCTS

This mechanism can be combined with more products including frames, triggers, adapters, center tubes, bases and swivel parts.

**CLICK** to see more information and product options online



- > Simplify your supply chain
- > Secure strong cooperation
- > Experience hands-on support

