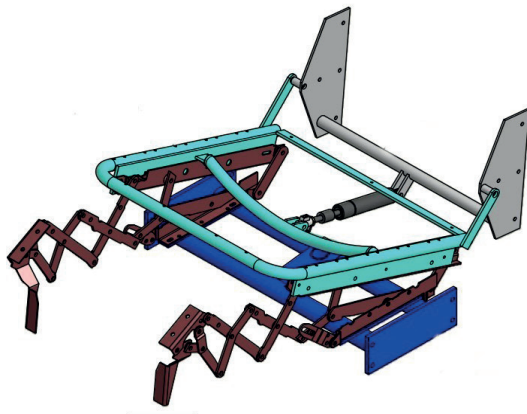
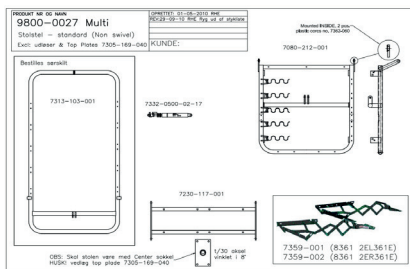


- > All mechanisms are available as a standard option
- > All mechanisms can be customized to accommodate special requirements
- > All mechanisms can be combined with more products for complete solution



Functionality and benefits

- > Model patented by Schultz Seating
- > Available with gas spring or as motorized version
- > Footrest elevates by a small push to the armrest
- > The seat adjust according to footrest movement which gives good sitting comfort.
- > Possible to build the Multi as 2- or 3-seaters
- > Prepared for swivel or 4 leg models



9800-0027 Multi Chair frame - standard (non swivel)

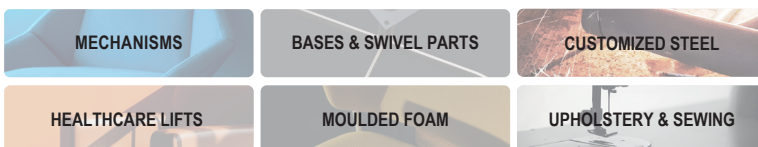
Standard design is 1 gas spring for adjusting the back and manually adjustable head rest

Footrest extends 150 mm when elevated

COMPATIBLE PRODUCTS

This mechanism can be combined with more products including frames, triggers, adapters, center tubes, bases and swivel parts.

CLICK to see more information and product options online



- > Simplify your supply chain
- > Secure strong cooperation
- > Experience hands-on support

