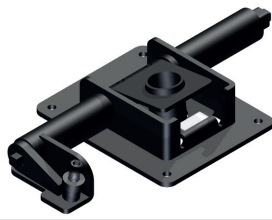
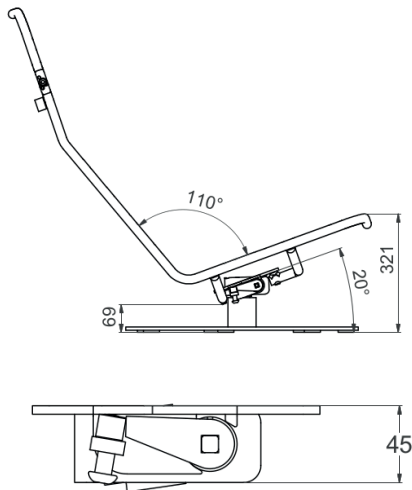
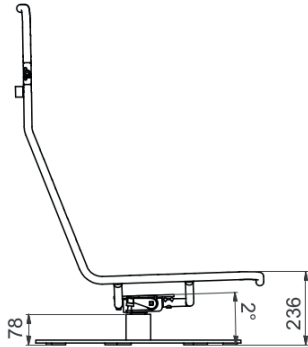


7275 COMPACT TILT



- > All mechanisms are available as a standard option
- > All mechanisms can be customized to accommodate special requirements
- > All mechanisms can be combined with more products for complete solution

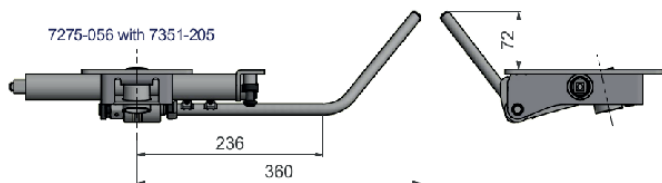


Functionality and benefits

- > Strong construction suitable for larger chairs
- > Compact mechanisms easy to cover
- > Suitable for moulded foam
- > Torsion spring is adjustable and ensures the right balance in the chair
- > Available with or without a brake system
Model 7275-052 - standard - without brake
Model 7275-056 - with brake
- > The handle for the brake system can be customized

Technical specifications

- > Standard 12° inclination to the floor
- > Movements from 0° to 18°



COMPATIBLE PRODUCTS

This mechanism can be combined with more products including frames, triggers, adapters, center tubes, bases and swivel parts.

CLICK to see more information and product options online



- > Simplify your supply chain
- > Secure strong cooperation
- > Experience hands-on support



BACKFRAME



SWIVEL PART

BASE