

7801 HEAVY LIFT



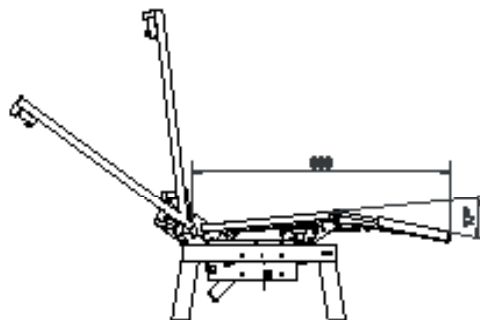
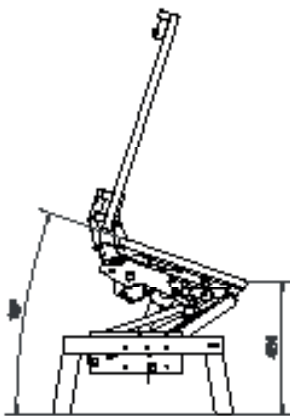
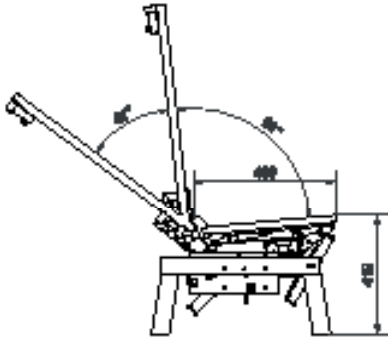
- > All mechanisms are available as a standard option
- > All mechanisms can be customized to accommodate special requirements
- > All mechanisms can be combined with more products for complete solution

Functionality and benefits

- > Lift and footrest functions with separate motors
- > Individual motor for back frame
- > The shape of the back can be adjusted to the customer's individual requirements
- > Lifts up to 250 kg

Technical specifications

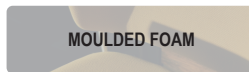
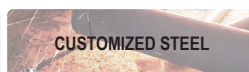
- > Standard of 91° on back frame in sitting position
- > Reclining movement of 47°
- > Maximum front height of 464 mm in lifted position
- > Angle of back frame is 19° in lifted position



COMPATIBLE PRODUCTS

This mechanism can be combined with more products including frames, triggers, adapters, center tubes, bases and swivel parts.

CLICK to see more information and product options online



- > Simplify your supply chain
- > Secure strong cooperation
- > Experience hands-on support