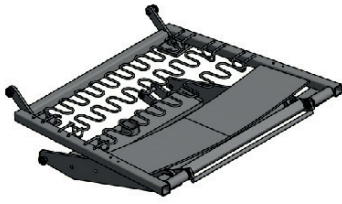
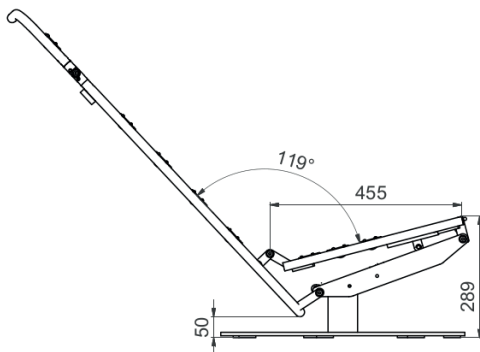
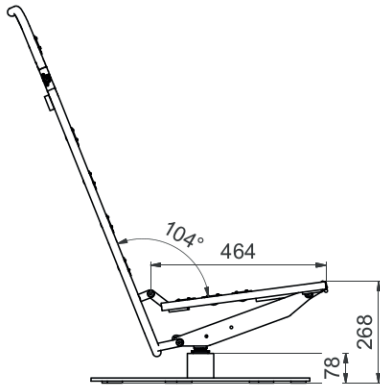


7900 SYNCHRO CHAIR



- > All mechanisms are available as a standard option
- > All mechanisms can be customized to accommodate special requirements
- > All mechanisms can be combined with more products for complete solution



Functionality and benefits

- > Mechanism with unique low front height
- > In movement the front only elevates 21 mm
- > Smooth reclining with gas spring
- > Optional to stop reclining movement in all positions
- > Armrest is not required
- > Armrest is optional and can be mounted with fixed bridge or adaptor solution and is easily adjusted to fit design requirements
- > Ergonomic comfort with synchronized movement of seat and back
- > The mechanism is very small, and fits into many different designs

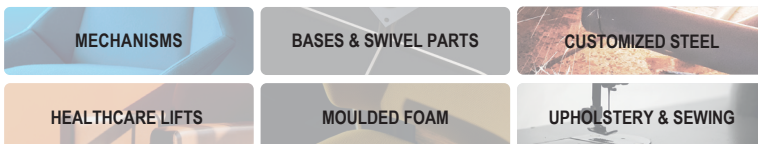
Technical specifications

- > Low seat height in front from 268 mm
- > Reclining movement from 104° to 119°

COMPATIBLE PRODUCTS

This mechanism can be combined with more products including frames, triggers, adapters, center tubes, bases and swivel parts.

CLICK to see more information and product options online



- > Simplify your supply chain
- > Secure strong cooperation
- > Experience hands-on support

