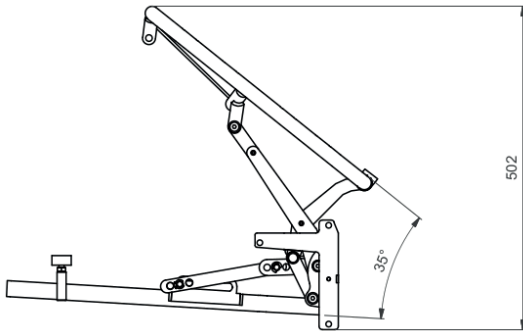


- > All mechanisms are available as a standard option
- > All mechanisms can be customized to accommodate special requirements
- > All mechanisms can be combined with more products for complete solution

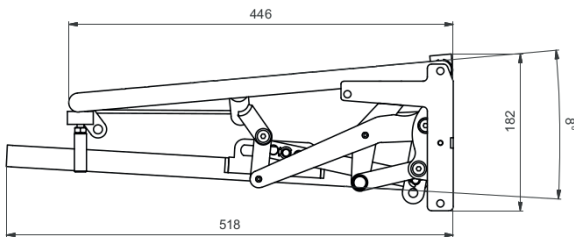


Functionality and benefits

- > Mechanism with front rail and seat lift function
- > Suitable with our standard back frames which can be customized in shape upon request
- > Supports installation of back frame in fixed position or back frame with movement (by adding gas spring)
- > Optional to mount armrest

Technical specifications

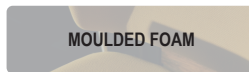
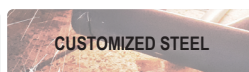
- > Standard of 3 weight categories:
- > (50 - 70 kg) (70 - 90 kg) (90 - 110 kg)
- > Lift movement of maximum 35°



COMPATIBLE PRODUCTS

This mechanism can be combined with more products including frames, triggers, adapters, center tubes, bases and swivel parts.

CLICK to see more information and product options online



- > Simplify your supply chain
- > Secure strong cooperation
- > Experience hands-on support