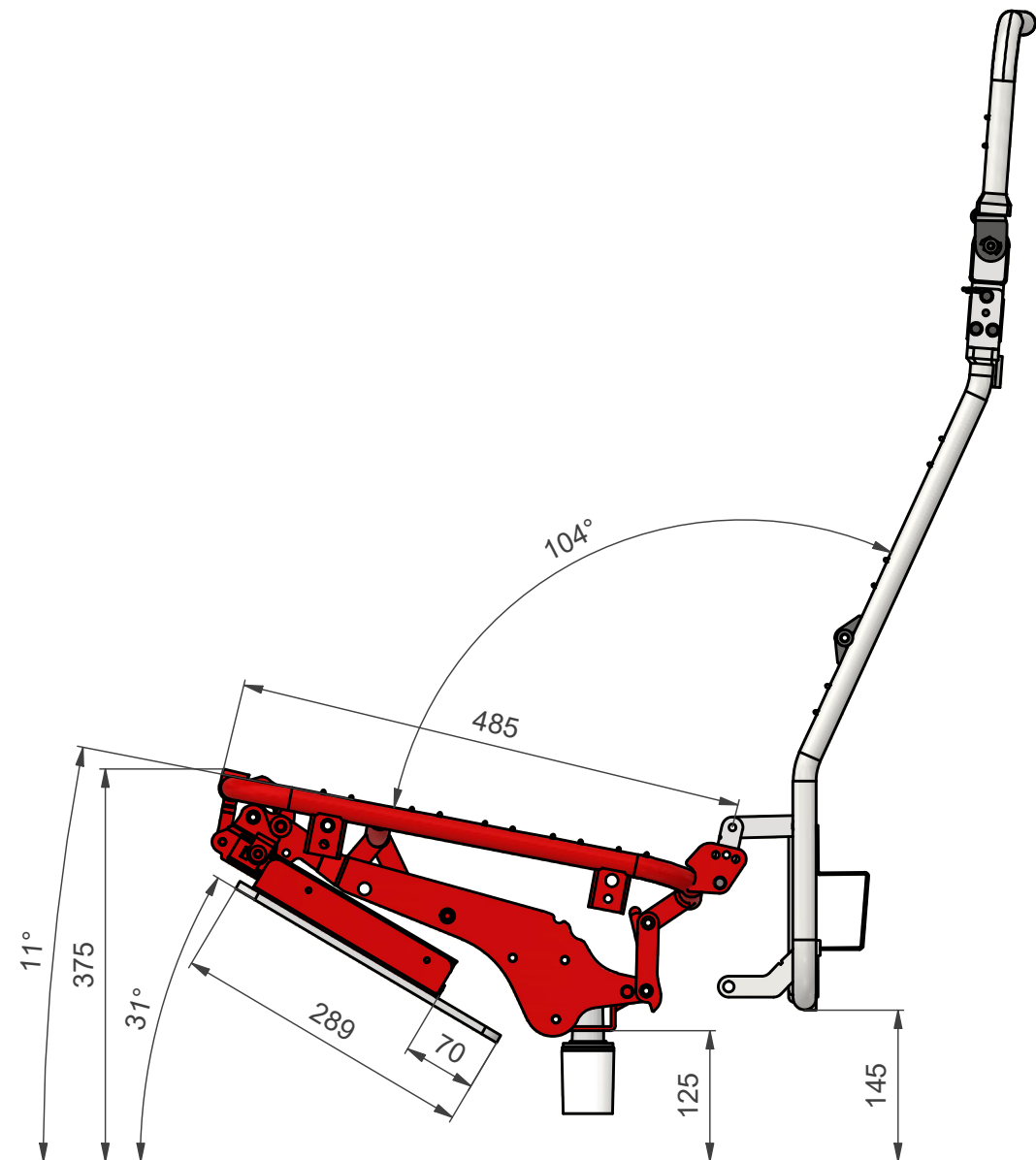
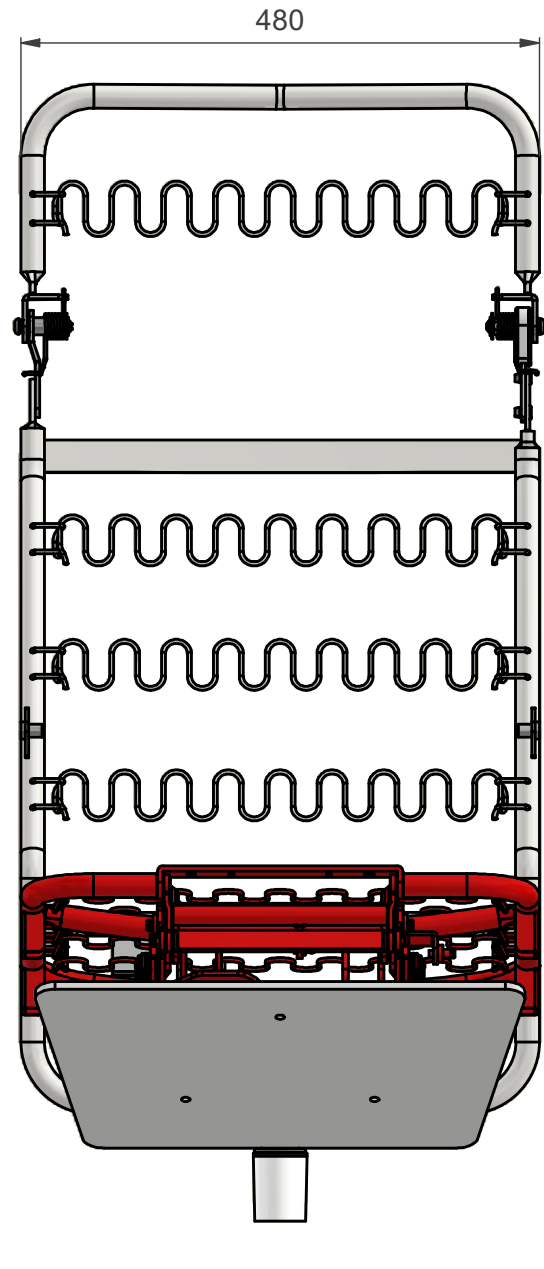


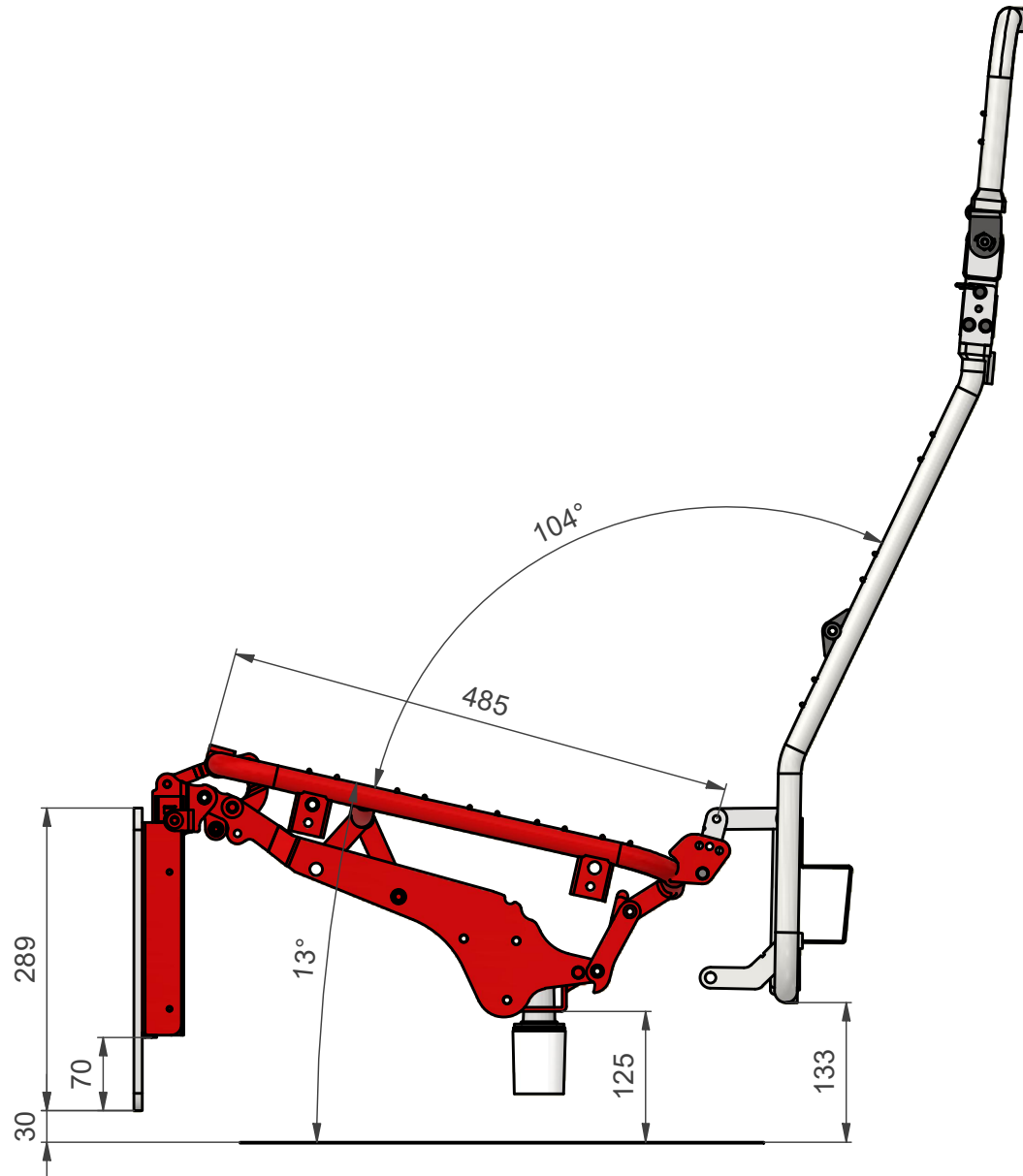
7854 Hidden Footrest Extended

| | | | | |
|--------|--|-------|----------|--|
| Info | Our mechanism (red object) is shown assembled with our additional products to indicate angles and dimensions. | Scale | Page no. | Contact |
| Rights | This document contain products owned by Schultz Seating Group. It is intended for collaboration with development purposes. | 1 : 7 | 1 of 4 | www.schultz-seating.com |



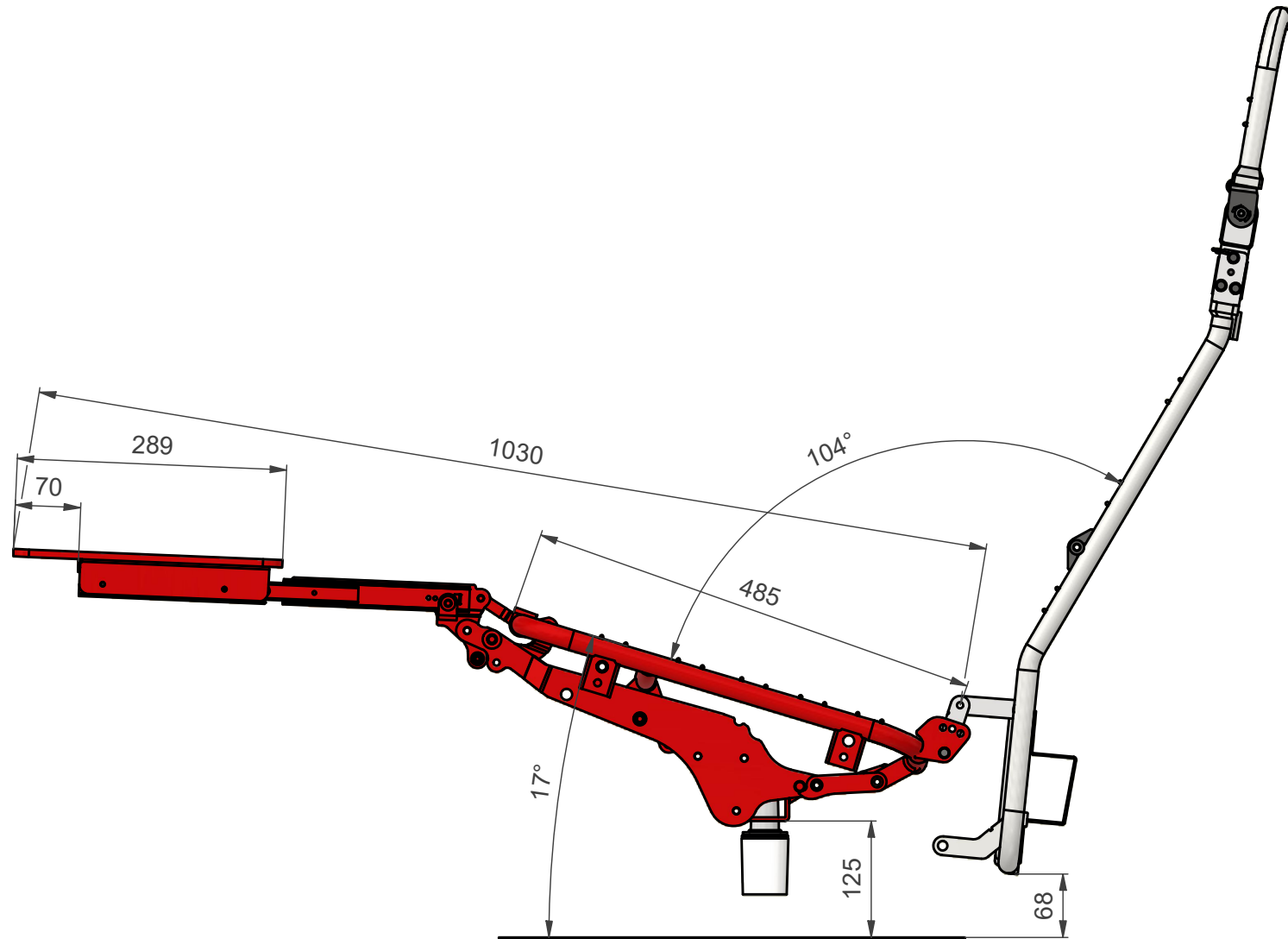
7854 Hidden Footrest Extended

| | | | | |
|--------|--|-------|----------|--|
| Info | Our mechanism (red object) is shown assembled with our additional products to indicate angles and dimensions. | Scale | Page no. | Contact |
| Rights | This document contain products owned by Schultz Seating Group. It is intended for collaboration with development purposes. | 1 : 7 | 2 of 4 | www.schultz-seating.com |



7854 Hidden Footrest Extended

| | | | | |
|--------|--|-------|----------|--|
| Info | Our mechanism (red object) is shown assembled with our additional products to indicate angles and dimensions. | Scale | Page no. | Contact |
| Rights | This document contain products owned by Schultz Seating Group. It is intended for collaboration with development purposes. | 1 : 7 | 3 of 4 | www.schultz-seating.com |



7854 Hidden Footrest Extended

| | | | | |
|--------|--|-------|----------|--|
| Info | Our mechanism (red object) is shown assembled with our additional products to indicate angles and dimensions. | Scale | Page no. | Contact |
| Rights | This document contain products owned by Schultz Seating Group. It is intended for collaboration with development purposes. | 1 : 7 | 4 of 4 | www.schultz-seating.com |

